

INSTALLATION AND MAINTENANCE INSTRUCTIONS

AIR SOURCE HEAT PUMP (ALL IN ONE)

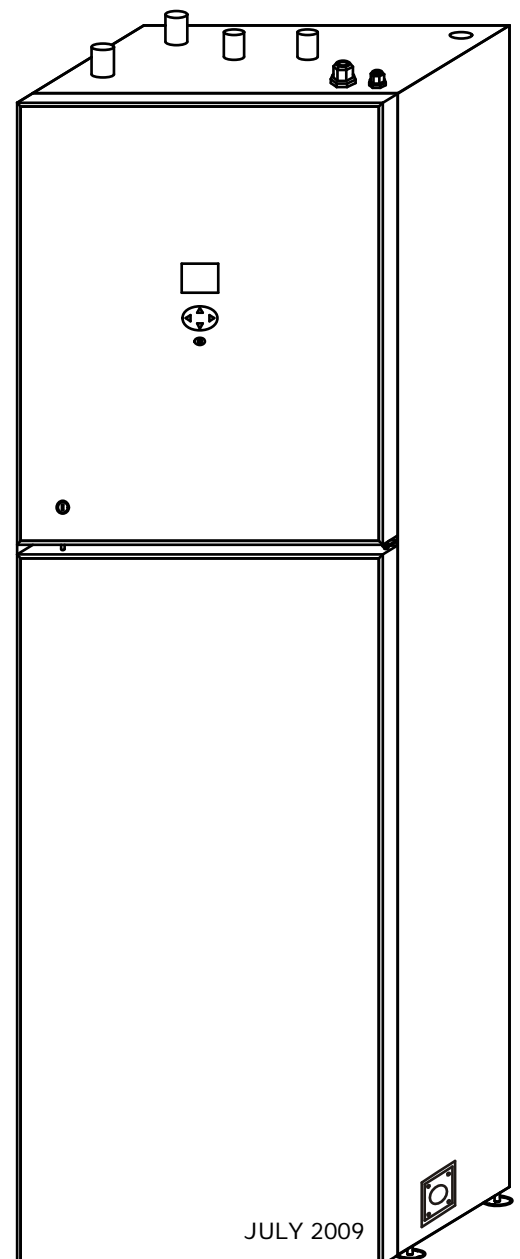
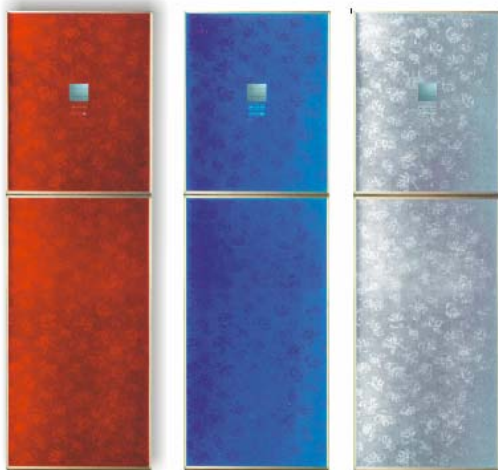
MODEL :

AWA-SS-6 AWA-SS-8

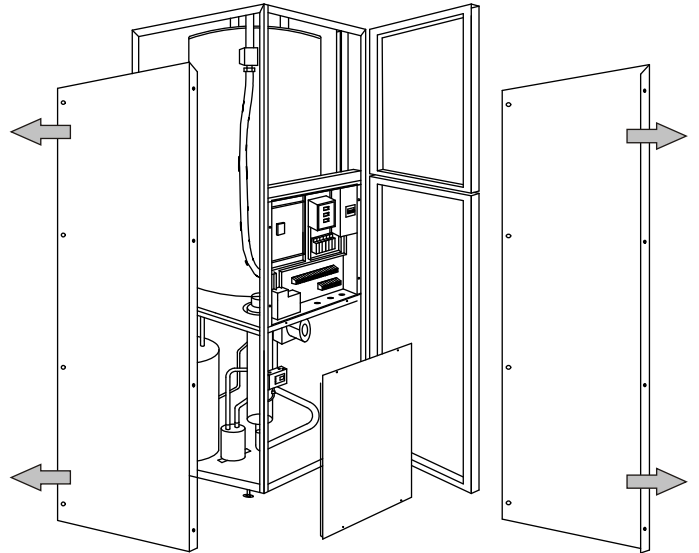
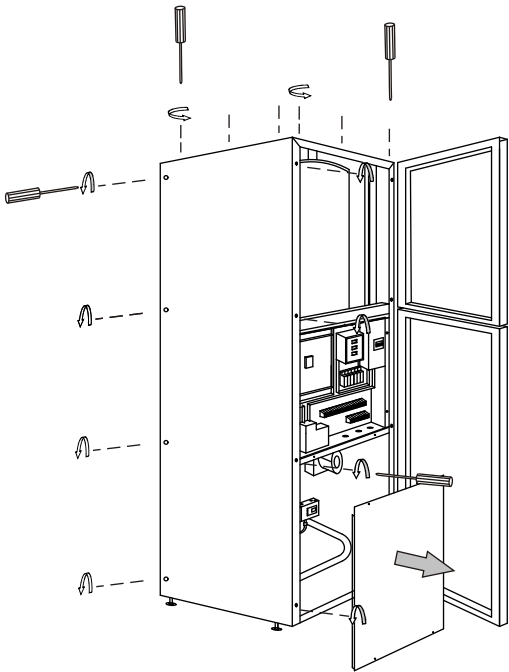
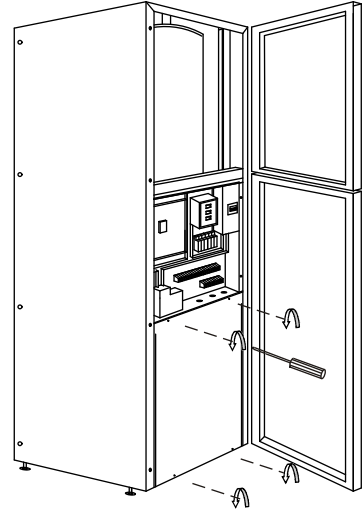
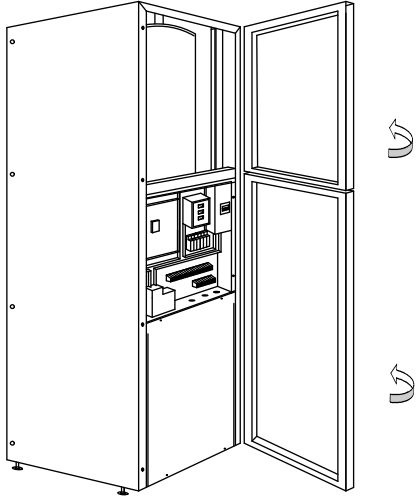
(230V / 50HZ)

AWA-SS-10 AWA-SS-12 AWA-SS-16

(3x400V / 3 / 50Hz)



• Please read this operation manual before using the Heat Pump



System description

Principle of operation	3
Unit Description	3
Principle of heatpump	4

Control panel

Layout	5
Explanation	5
Functions	6
Symbols	6

General information for the installer

Transport and storage	7
Installation	7
Copper pipe connecting	7
Inspection of the installation	7

Pipe connections

General	8
Copper Pipe connections	8
Pipe connection (heating medium)	9
Pipe connections (water heater)	9
How to connect the copper pipes	10
The step and diagram of collect refrigerant	11
Pump capacity diagrams, heating medium side ..	12
How to adjust the rate of flow	13

Electrical connections

Connect the power cord	14
Wiring of the terminal (mode one)	15
Wiring of the terminal (mode two)	15
Connecting the room temperature sensor	16
Connecting the outside temperature sensor	16
Layout of the PCB	17
1.5mm ² terminal connection	17
Part of wiring diagram	18
2.5mm ² terminal connection	18
Wiring diagram (230v / 50 Hz)	19
Wiring diagram (3X400v / 3 / 50 Hz)	20

Commissioning and adjusting

Preparations	21
Filling and venting the heating medium system ...	21
Inspection	22
Adjust the heat medium pump	22
Readjusting, heat medium side	22
Emptying the water heater	22

Control

General Information	23
Menus	24
Main Menu Information	24
Sub-menu Operation.....	24

Sub-menu Heat Curve	25
Sub-menu Temperature	26
Sub-menu Integral	26
Degree Minute's(DM) instruction.....	27
Sub-menu Operating Time	29
Sub-menu Reset	29
Sub-menu Man Test	29
Sub-menu DEFROST	30
Adjustments to be made regularly	30
Heat Generation-General.....	30
Adjustment of the CURVE valve	31
Adjustment of ROOM valve.....	33
Adjustment of Part of the Heat Curve	34
Adjustment the MIN and MAX valve	35
Adjustment of the HEAT STOP valve.....	35
Graph of recent change in TEMPERATURE.....	36
Maximum Return Line Temperature	37
Warm water Production.....	37
Regular checks	38
Check of the Operating Mode.....	38
Checking the Water Level of the Heating system ..	38
Checking the safety valves.....	39
In the event of leakage.....	39
Alarm Messages	40
Terminology and Abbreviations	41
Description of the switch board.....	42

Dealing with malfunctions

Draining, heat medium side	43
Draining, water tank.....	43
Draining, the chassis.....	43

Component placement

Component positions 1	44
Component positions 2.....	45
Component positions 230 V / 50 HZ	46
Component positions 3 x 400 V / 3 / 50 HZ	46

List of components

List of components	47
--------------------------	----

Dimensions

Dimensions and setting-out coordinates	48
Dimensions of the AWA-SS-6 outdoor unit	49
Dimensions of the AWA-SS-8 outdoor unit	49
Dimensions of the AWA-SS-10 outdoor unit	49
Dimensions of the AWA-SS-12 outdoor unit	50
Dimensions of the AWA-SS-16 outdoor unit	50

Accessories

Accessories	51
Enclosed kit	51

Technical specifications

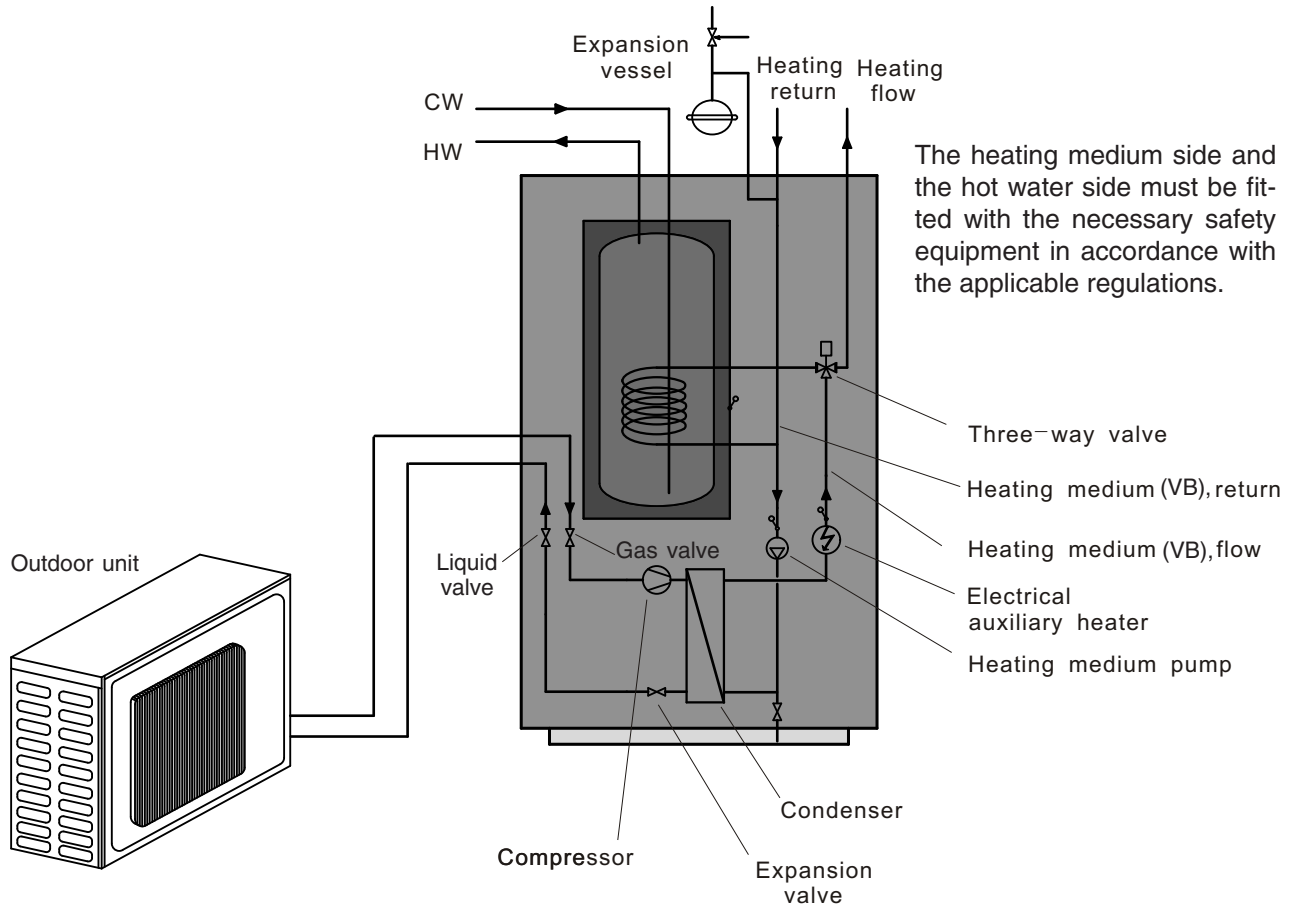
Technical specifications 230 V /3 X 400 V	52
-------------------------------------------------	----

Principle of operation

AWA-SS series consists of a heat pump, water heater, electrical module, circulation pumps and a control system. AWA-SS series is connected to the Outdoor Unit and heating medium circuits.

The heat source of the AWA-SS series is provided from air. the Outdoor Unit of the system is a heat exchanger for collecting the heat of air.

The air emits its heat to the refrigerant in the evaporate of Outdoorunit. It then vaporises and is compressed in the compressor. The refrigerant, the temperature of which has now been raised, is passed to the condenser where it gives off its energy to the heating medium circuit and, if necessary, to the water heater. After the condenser there is a built-in electrical module which cuts in if there is a high demand.



Unit Description

In order to get the best results from the climate system AWA-SS series you should read through the section For the System manager in these Installation and Maintenance instructions.

AWA-SS series is a climate system for heating houses and apartment buildings as well as industrial properties. Air is used as the heat exchange source.

AWA-SS series is a complete heating installation for heating and hot water.

It is fitted with new design on the market to be developed specifically for heat pumps. A new evaporator enables a new and improved circulation system for the refrigerant. The heat pump has an integrated 150 or 200 litre water tank and an immersion heater. The Tap Water Stratification system improves the efficiency of heat transfer by keeping the water in distinct thermal layers in the water tank.

The unit is fitted with a regulating computer, which is controlled over a graphic display unit.

Heat is distributed throughout the house over a hydronic heating system referred to as low temperature system with a maximal water temperature to radiators (supply line temperature) of 65°C. Most of the heating demand is taken care of by the heat pump (compressor unit), the auxiliary heater being started only when demands exceed available heat pump capacity.

AWA-SS series consists of five main components:

- a. Heat Pump Unit
 - Rotary or Scroll-compressor
 - Stainless steel heat exchangers
 - Circulation pumps for Brine system (brine) and heating systems
 - Valves and safety equipment for refrigerant system, complete with necessary electric components
- b. Water Heater
 - 150 or 200 litre
 - Lined with copper sheet against corrosion or made of stainless steel
 - Maintenance free as no anode is used
- c. Reversing Valve
 - Opening or closing the connection to water heater according to operating mode: heating or warm water production
- d. Auxiliary Heater
 - 3/6/9 kW electric heating element
 - Three-step capacity control
 - Fitted on supply line
 - Delivers back-up heat in case of great heat demand that exceeds heat pump capacity
 - Starts automatically, provided operating mode "AUTO" has been selected
- e. Regulating Equipment
 - The regulating system controls heat pump components (compressor, circulation pumps, auxiliary heater and reversing valve). Based on data received from sensors, it starts or stops heat pump operation and determines whether heating or warm water shall be produced. The system consists of:
 - Control computer with graphic display unit
 - Temperature sensors (outside air, room, supply line, return line system)

Principle of heat pump

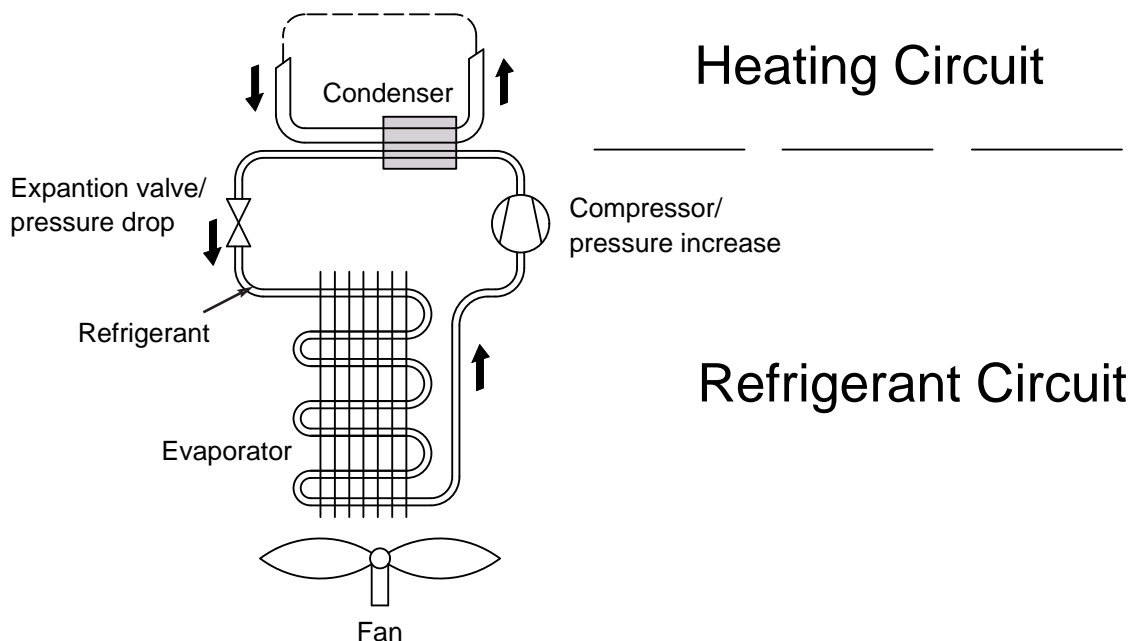
A heat pump can exploit the energy contained in natural heat sources. Or, to put it differently, the heat pump "collects" heat energy from the heat source. This makes the heat pump a very environmentally friendly and economically sound alternative for space heating.

- a. The Outdoor unit is used as the heat pump's evaporator. Here the heat energy of the Outdoor Unit causes the refrigerant, circulating through the evaporator, to boil and turn into a gas – it evaporates.
- b. The refrigerant, having absorbed heat energy, is circulated to the compressor where pressure and temperature are raised.
- c. The refrigerant continues to the condenser. When condensing, it releases heat energy to the heat carrier, circulating through the condenser. The temperature of the refrigerant sinks, and it returns to its liquid state.
- d. The heat energy released is carried by the heating circuit to water heater and radiator or floor heating systems.
- e. At last the refrigerant is led through the expansion valve, where its pressure is reduced, and then continues to the evaporator. The process is restarted.

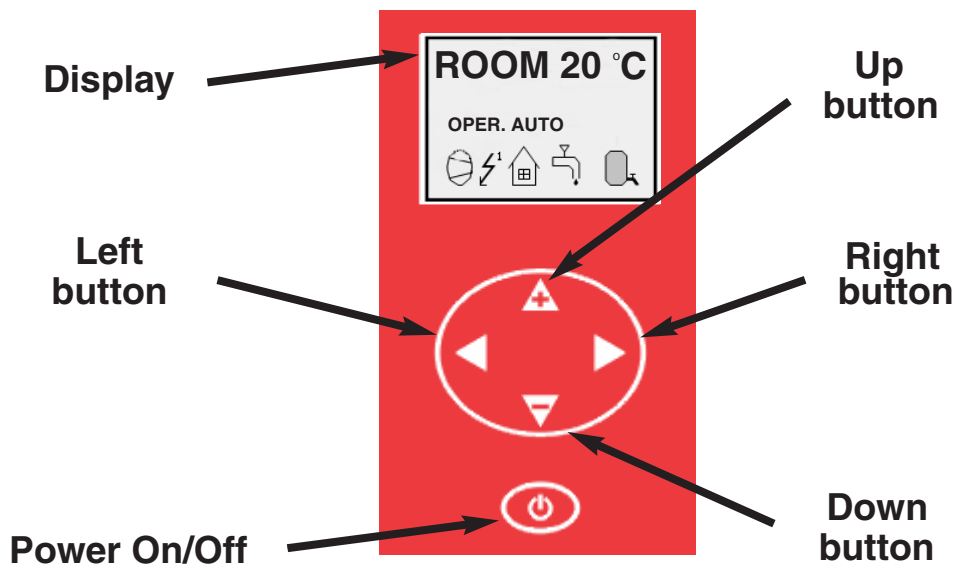
The heat pump has two separate liquid circuits

Refrigerant circuit – circulating inside the heat pump. Through evaporation, compression and condensation it absorbs energy from the outdoor unit and releases it to the heat carrier. The refrigerant is chlorine-free.

Heating circuit – water transporting heat energy to the heating system (radiators/floor coils) and the water heater.



Layout



Explanation

Control Panel

The control panel of AWA-SS features a graphic display five control buttons .

Beside the control panel you will find the User's Manual, a short description of how to increase and reduce room temperature, and a label with name and phone number of dealer.

**Graphic display**

Functions

The control computer is operated with the help of a user friendly menu system that is displayed on the control panel. There is a main menu and four sub-menus accessible from the main menu. The menus are described in detail further down.

To be able to select the desired menu and increase or reduce preset values, you will use the five buttons.

- One button pointing upwards marked with a plus
- One button pointing downwards marked with a minus
- One button pointing to the right
- One button pointing to the left
- One button pointing to the Power ON/OFF

Symbols

For you to know at a glance the actual operating mode of the heat pump, one of the following symbols will be shown in the lower part of the display depending on which part of the unit is working:



The heat pump is running.



Warm water is being produced.



The auxiliary heater is activated.
The figure next to the symbol indicates capacity step.



Indicates the status of warm water production. If the symbol is empty, warm water temperature is under the setting temperature.



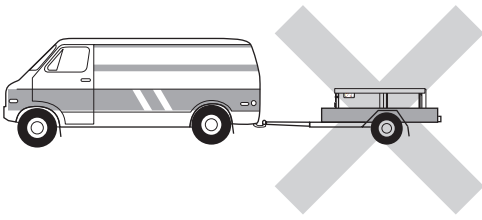
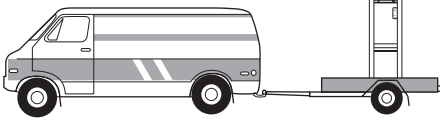
There is a room heating demand.



If the symbol is full, warm water temperature reached to the setting temperature

Transport and storage

The AWA-SS series must be transported and stored upright and dry. The AWA-SS series may however be carefully laid on its back when being moved into a building.



Installation

AWA-SS series is placed on a firm base, preferably a concrete floor or foundation. Install AWA-SS series with its back to an outside wall, ideally in a room where noise does not matter. If this is not possible, avoid placing it against a wall behind a bedroom or other room where noise may be a problem. Any wall that backs on to a bedroom should be fitted with sound insulation. Route pipes so they are not fixed to an internal wall that backs on to a bedroom or living room.

Copper pipe connecting

- 1) The maximum length of the connecting copper pipe between the mainframe and outdoor unit is 15 meters.
- 2) There is no need to charge extra refrigerant into the copper pipe while its length is less than 5 meters.
- 3) While the copper length is more than 5 meters, copper pipe while its length is less than 5 meters every extra 10g refrigerant must be charged for per increased 1 meter length.

Inspection of the installation

Current regulations require the heating installation to be inspected before it is commissioned. The inspection must be carried out by a suitably qualified person and should be documented. The above applies to closed heating systems. If the heat pump is replaced, the installation must be inspected again.

General

Pipe installation must be carried out in accordance with current norms and directives. The heat pump can operate up to a return temperature of about 58* °C and an outgoing temperature of about 70* °C from the heat pump. The compressor produces up to 65* °C, the rest is obtained using additional heating.

The other heat pumps has a max return temperature of approximately 50 °C and an outgoing max temperature from the heat pump of approximately 60 °C.

Since the AWA,AWB series is not fitted with shut-off valves, these must be fitted outside of the heat pump to make future servicing easier.

During assembly the pipes for the heat medium and water heater and possibly hot water circulation are routed backwards. The distance between AWA-SS series and the wall ought to be 50 mm.

NOTE!

The pipe system needs to be flushed out before the heat pump is connected so that debris cannot damage component parts.

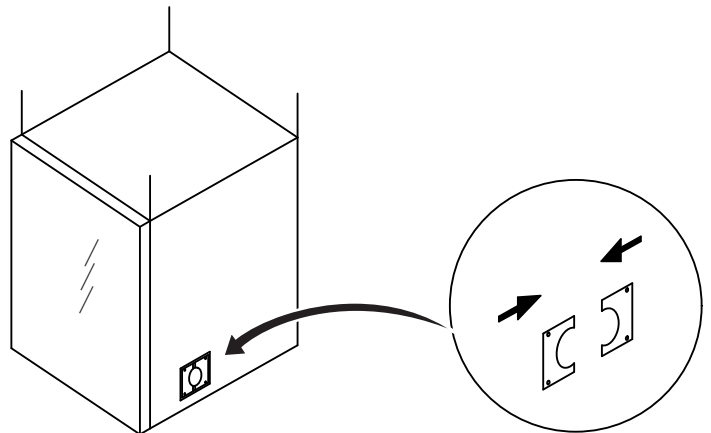
Copper pipe connections

According to their practical situation, users can choose the place on mainframe (left or right) for the out of connecting copper pipe.

The size of the outlet for connecting copper pipe can be adjusted by the fixing board.

Copper tube size

Modle Size	AWA-SS-6	AWA-SS-8	AWA-SS-10	AWA-SS-12	AWA-SS-16
Gas rör	1/2"	5/8"	5/8"	3/4"	3/4"
Vätske rör	1/4"	3/8"	3/8"	1/2"	1/2"



NOTE!

defrosting temperature sensor and outside temperature sensor should be connected to outdoor unit through the connecting outlet of mainframe and outdoor unit.

Pipe connections (heating medium)

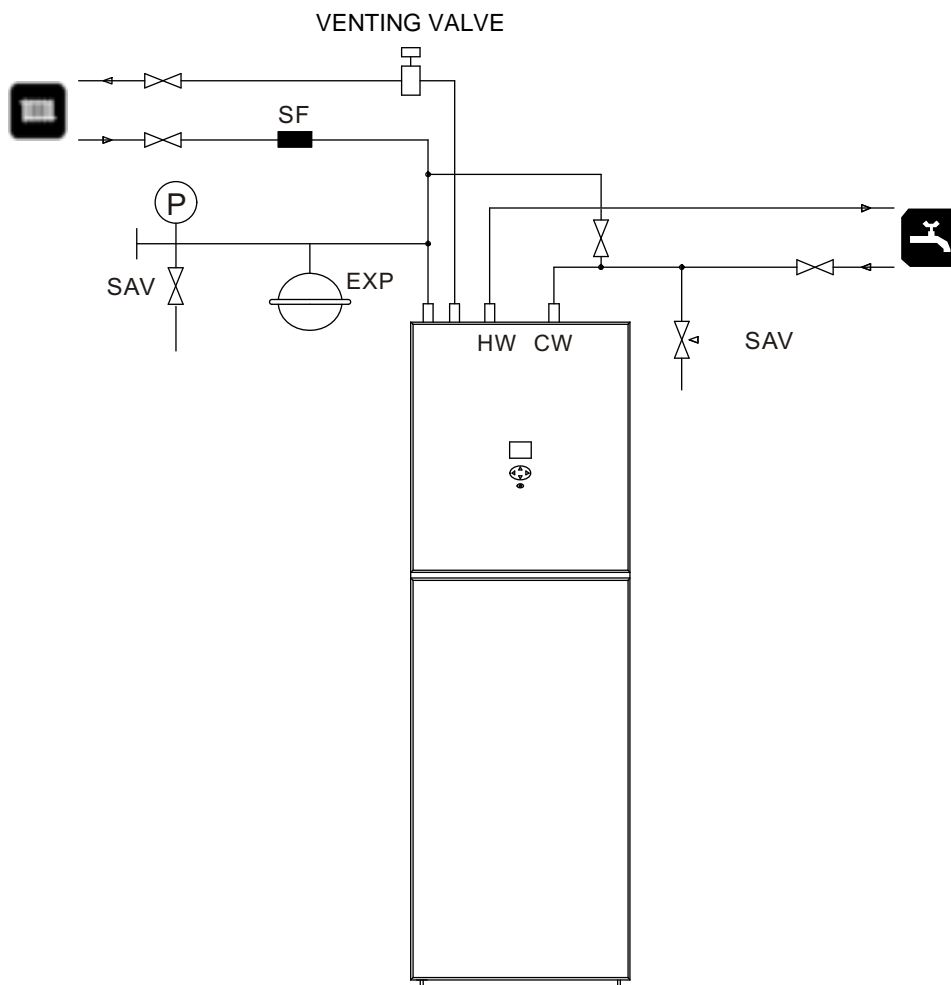
Pipe connections for the heat medium side are made at the top. All required safety devices, shut-off valves (as close to the heat pump as possible), and particle filter (supplied) are fitted.

When connecting to a system with thermostats on all radiators, a relief valve must be fitted, or some of the thermostats must be removed to ensure sufficient flow.

Pipe connections (water heater)

The heat pump's water heater must be fitted with the necessary valve equipment.

The heat pump should be supplemented with an electric water heater if a bubble pool or other significant consumer of hot water is installed. The valve coupling in COMPACT (electrical water heater) can be divided. The mixing valve stays in COMPACT and the remaining valve coupling can be used for incoming cold water in AWA-SS series.



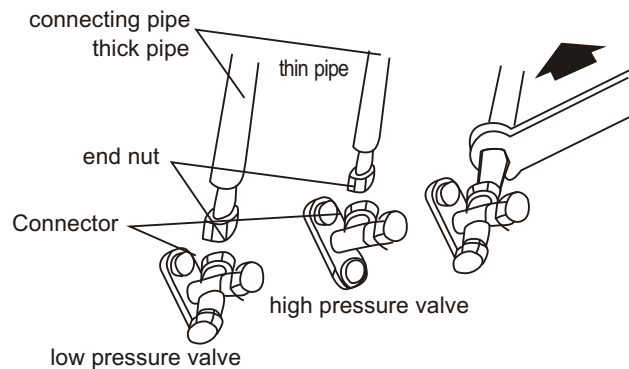
NOTE!

The venting valve should be set on the top of the heating medium system.

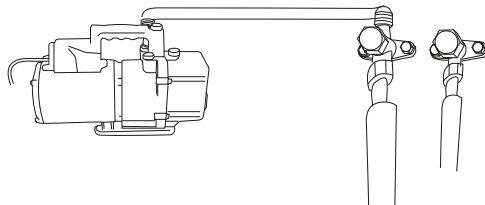
How to connect the copper pipes

Piping Connecton

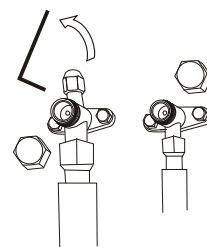
1. Open the cover of the outdoor unit.
2. Connect the pipe to the indoor unit and outdoor unit.
 - Wipe the quick connectors with clean cloth to prohibit dust and impurity entering the pipes.
 - Align the centre of the pipe and fully screw in the angular nuts with Finger.



3. Use Vacuum pump to remove the air from indoor unit and connection pipe.



4. Connect the electric cable as per circuit diagram, and bundle it with the connecting pipe.
5. Take off the nuts in the mouths of high valve and low valve, turn the valves core anticlockwise with hexagon panner till the valves are opened completely. Recover and tighten the nuts.
6. Check leakage: check if there is leakage at each connection of the pipes or nuts. If yes, remedial neasure must be taken, leakage is not permitted in any case.



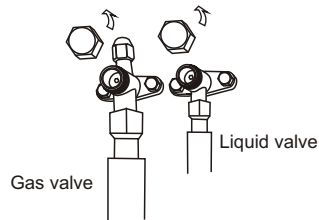
Attention :

- When connecting the pipe, a suitable pitching spanner must be used. If other spanner is used, it may damage the joint due to inappropriate force.
- On connecting the pipe, one should ensure that the insulating material of the pipe be closely fitted to the nuts at the joint.
- On connecting to the external unit, the pipes should be wrapped with sponge padding to prevent rain water from flowing in.
- When bending the pipe, the radius cannot be too small and be about 150160 mm.

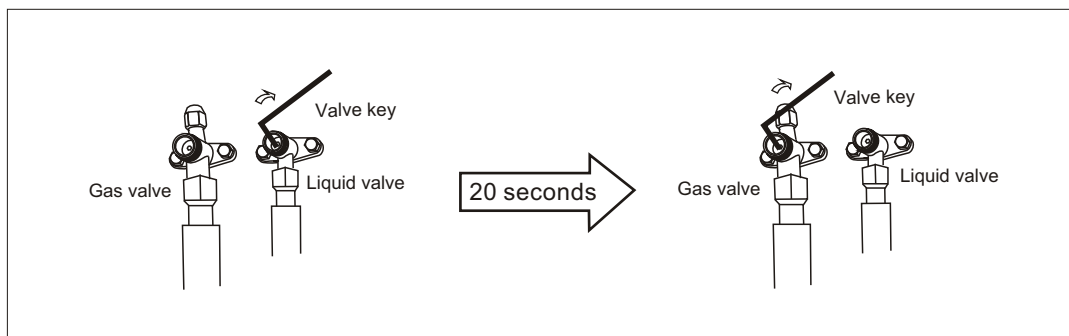
The step and diagram of collect refrigerant

- If the outdoor unit needs to be disconnected and moved to another place, please recycle the gas back into the compressor according to the following steps before doing the disconnecting:

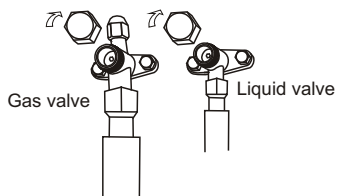
1. Start the machine, operate heat pump on state.
2. Remove the cap of two valves with the spanner.



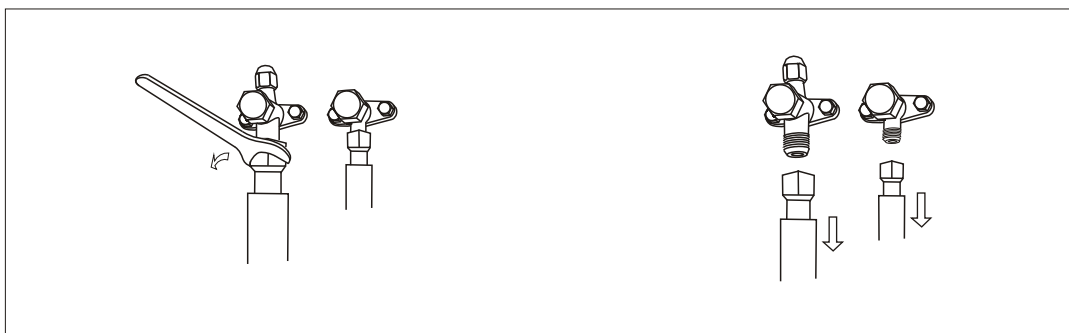
3. Tighten the core of the liquid valve (the smaller one) with valve key at first. After about 20 seconds, tighten the core of the gas (the bigger one) with valve key. Turn off the machine at once and cut off the power supply.



4. Tighten the cap of two valves.

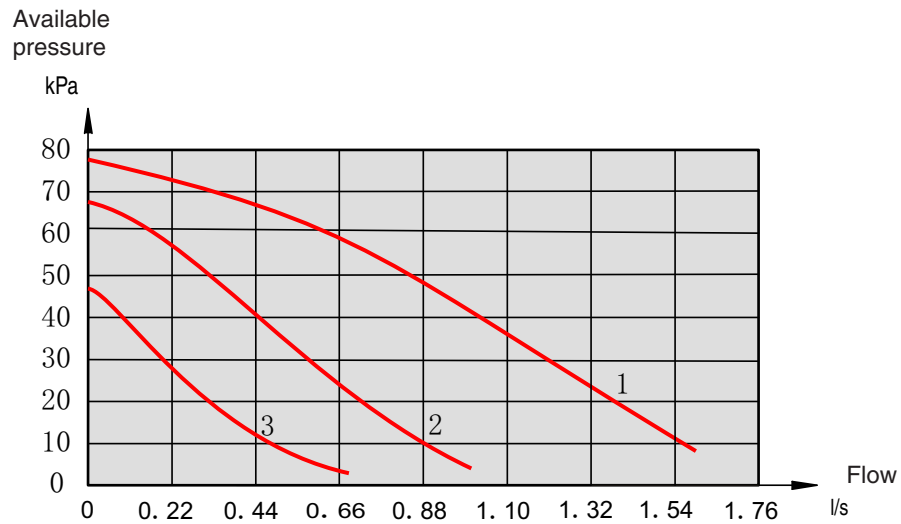


5. Disconnect the power cable from outdoor unit.
6. Loose the nut of the connect pipe to the outdoor unit valve with 2 spanner, disconnect the connect pipe and the two valves.



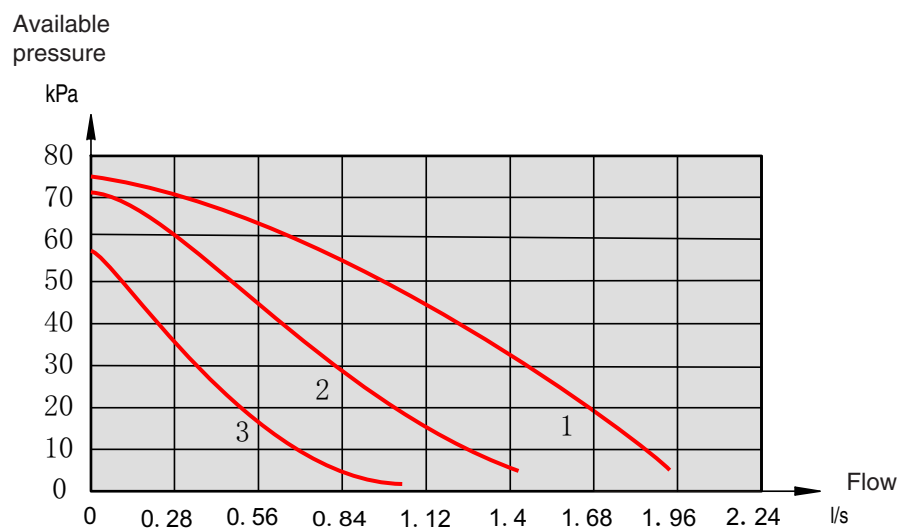
Pump capacity diagrams, heating medium side

AWA-SS-6 AWA-SS-8 AWA-SS-10 AWA-SS-12



WILO RS-25/8

AWA-SS-16



WILO RL-25/7.5

How to adjust the rate of flow

WILO RS-25/8

The pump is adjustable to adjust the flow: 1, 2, or 3.

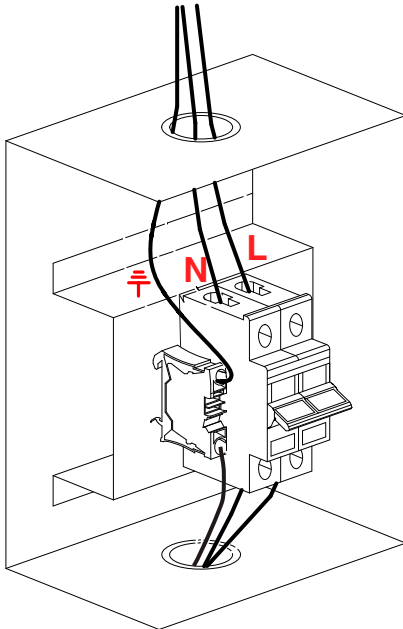
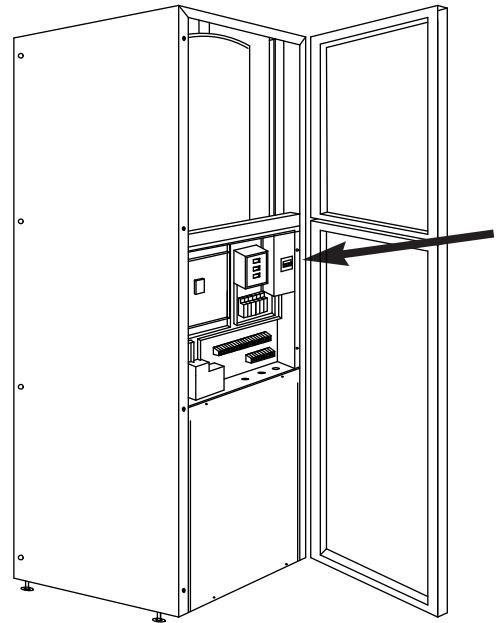
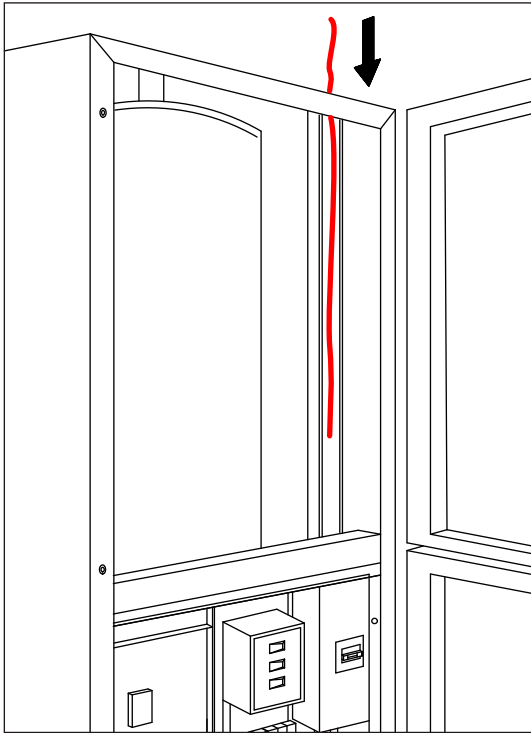


WILO RL-25/7.5

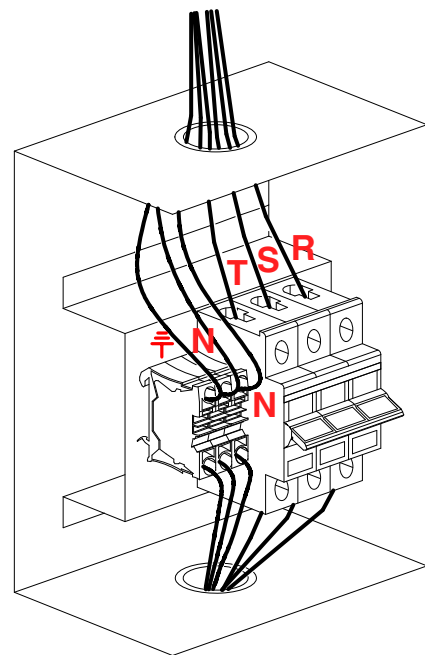
The pump is adjustable to adjust the flow: 1, 2, or 3.



Connect the power cord



(230V / 50 HZ)

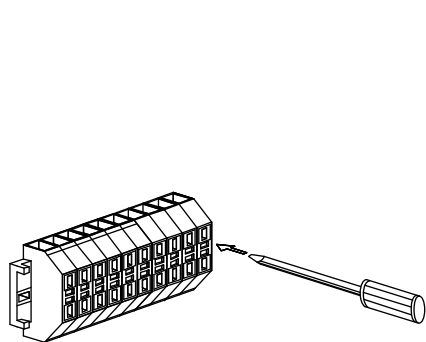


(3X400V / 3 / 50 HZ)

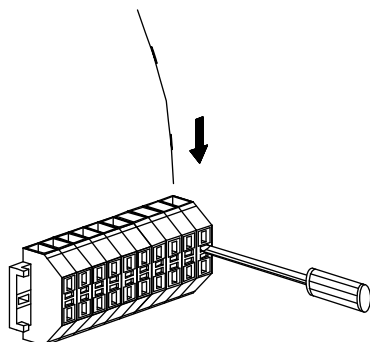
NOTE!

Electrical installation and service must be carried out under the supervision of a qualified electrician in accordance with the stipulations in force.

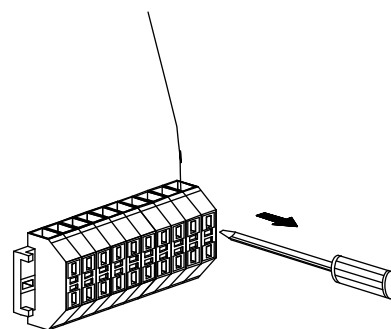
Wiring of the terminal (mode one)



Step1

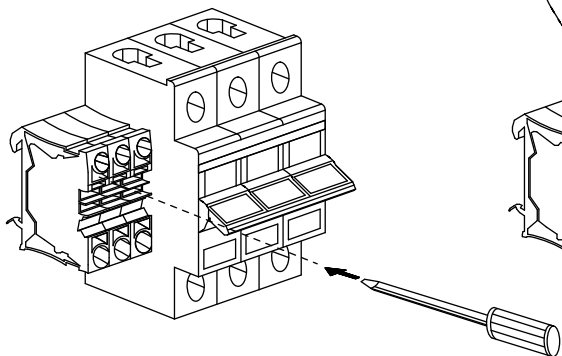


Step2

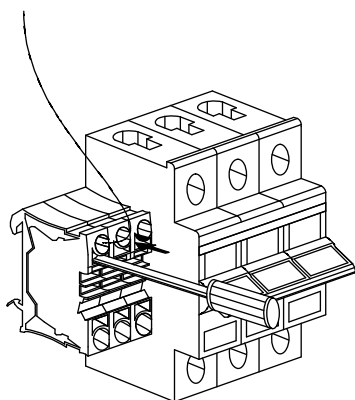


Step3

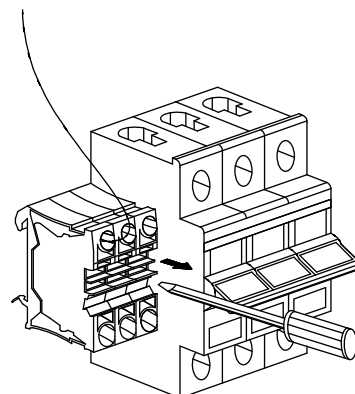
Wiring of the terminal (mode two)



Step1

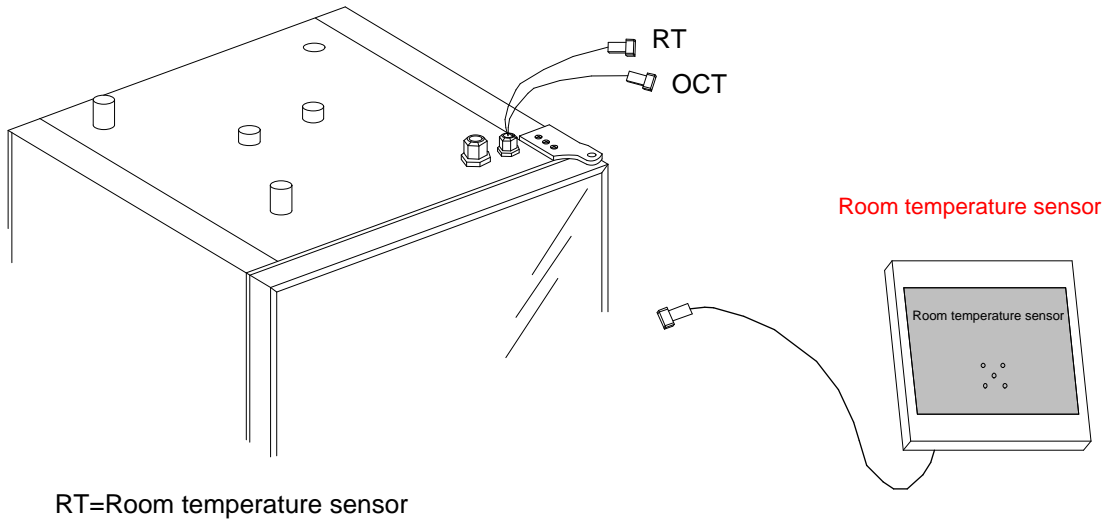


Step2

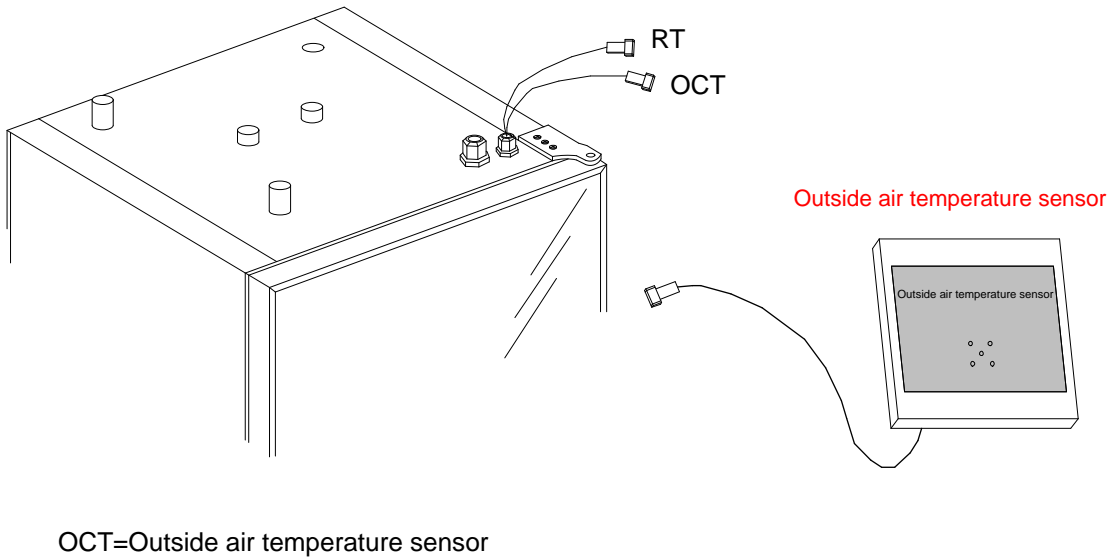


Step3

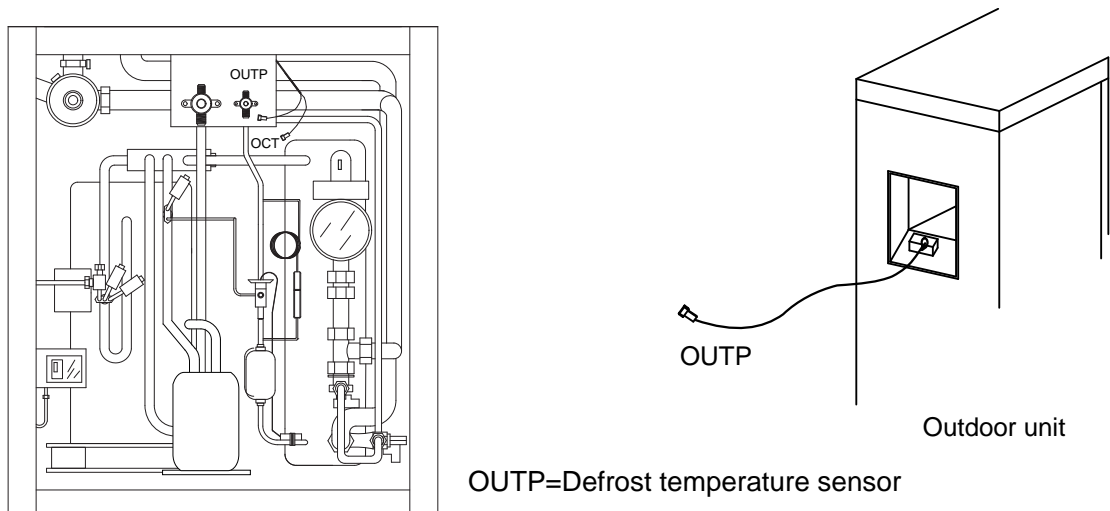
Connecting The Room Temperature Sensor



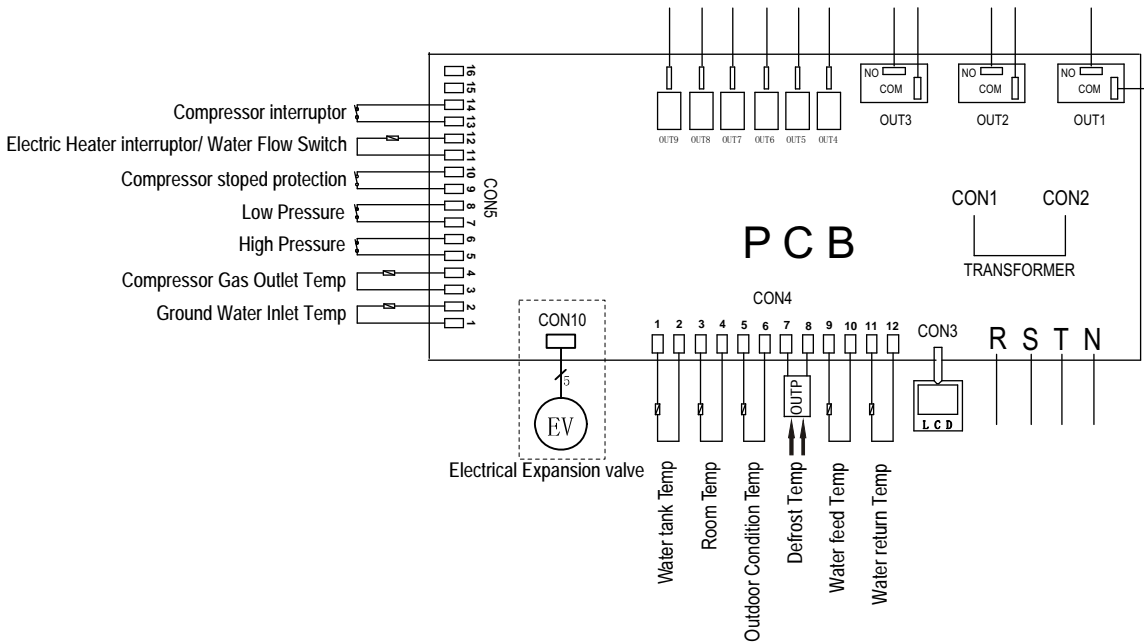
Connecting The Outside Temperature Sensor



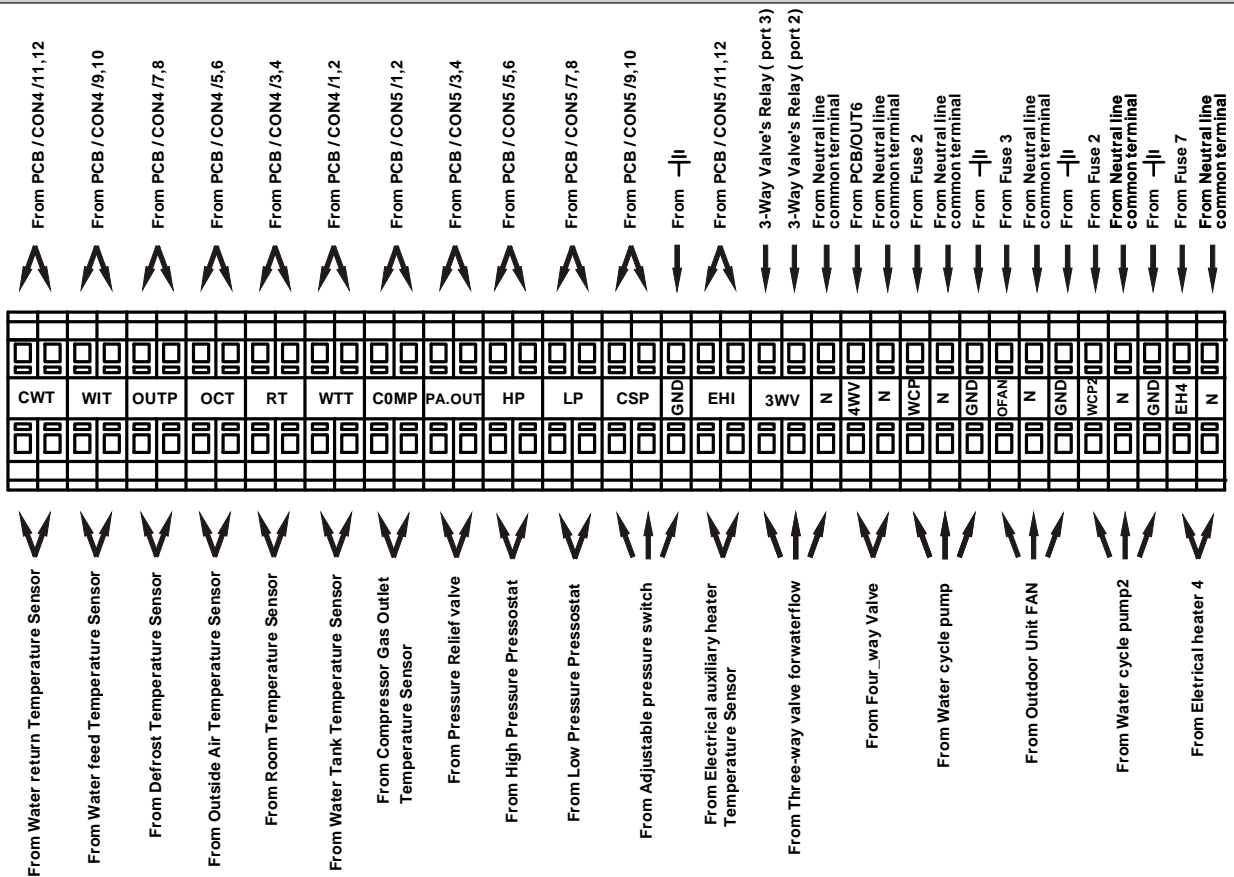
Connecting The Defrost Temperature Sensor



Layout of the PCB



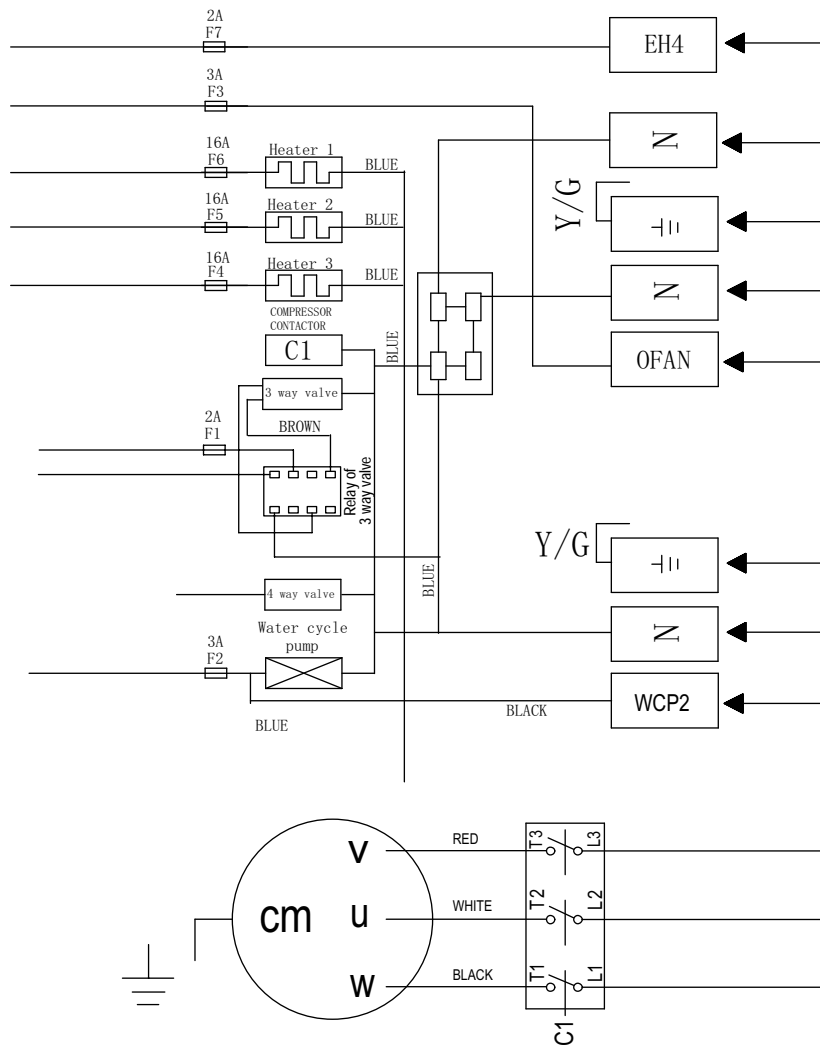
1.5mm² terminal connection



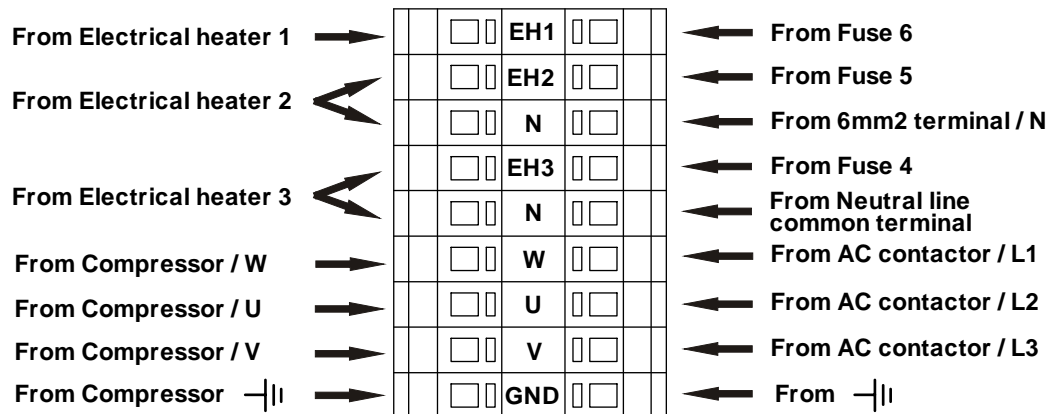
NOTE!

The connecting wire of outdoor unit fan, water cycle pump two and electrical heater four should be connected to the 1.5mm² terminal through the hole on the sound insulation board, and connect to outside with the copper pipes.

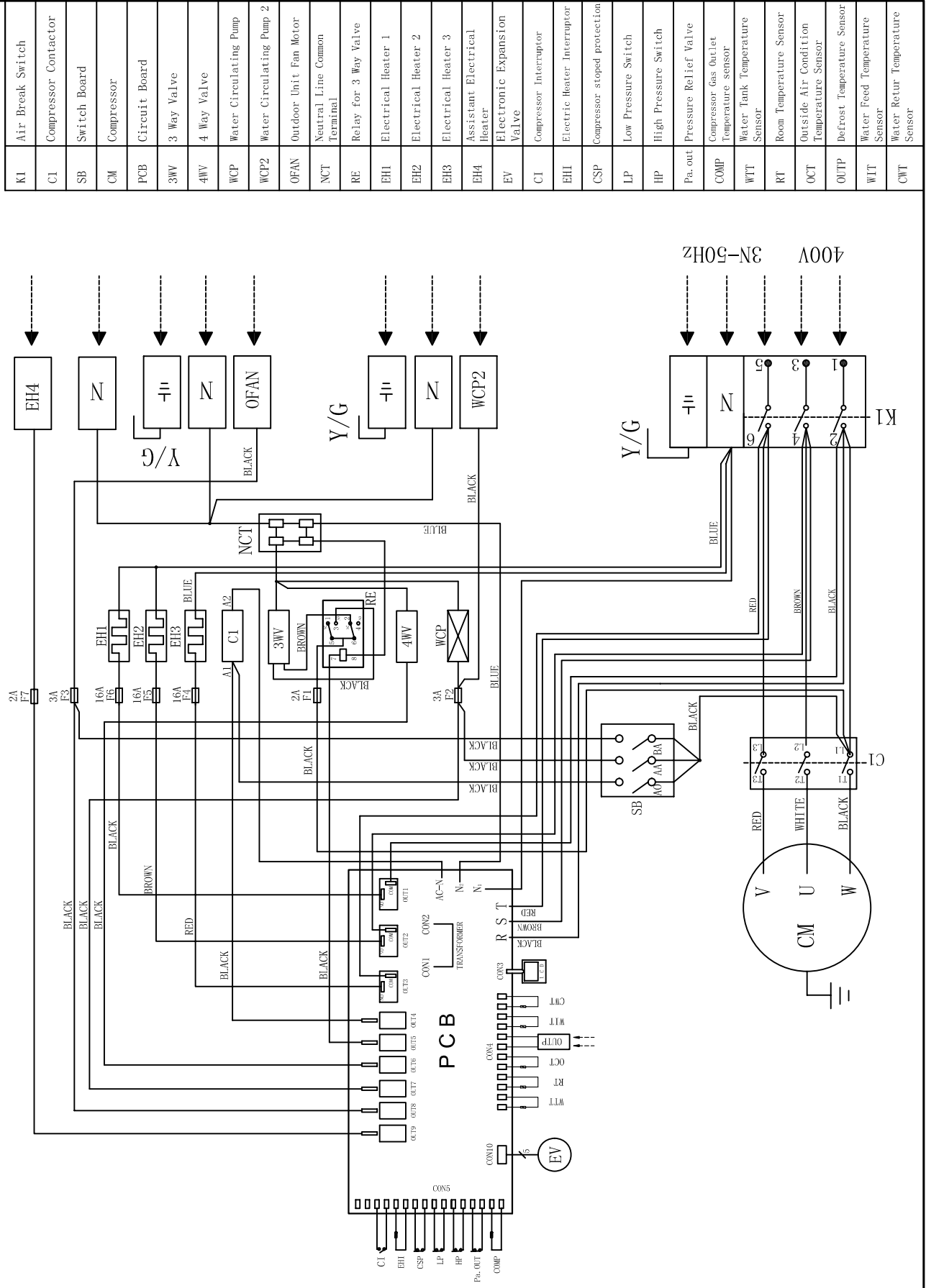
Part of wiring diagram



2.5mm² terminal connection



Wiring Diagram (3X400V / 3 / 50 HZ)



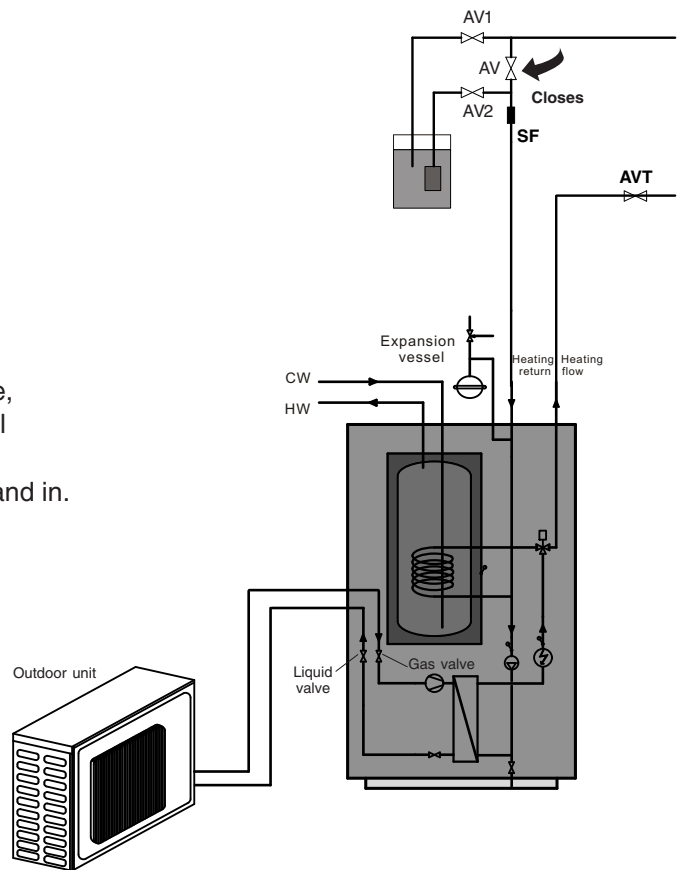
KI	Air Break Switch
C1	Compressor Contactor
SB	Switch Board
CM	Compressor
PCB	Circuit Board
3WV	3 Way Valve
4WV	4 Way Valve
WCP	Water Circulating Pump
WCP2	Water Circulating Pump 2
OFAN	Outdoor Unit Fan Motor
NCT	Neutral Line Common Terminal
RE	Relay for 3 Way Valve
EH1	Electrical Heater 1
EH2	Electrical Heater 2
EH3	Electrical Heater 3
EH4	Assistant Electrical Heater
EV	Electronic Expansion Valve
CI	Compressor Interruptor
EHI	Electric Heater Interruptor
CSP	Compressor stopped protection
LP	Low Pressure Switch
HP	High Pressure Switch
Pa.out	Pressure Relief Valve
COMP	Compressor Gas Outlet Temperature sensor
WTT	Water Tank Temperature Sensor
RT	Room Temperature Sensor
OCT	Outside Air Condition Temperature Sensor
OUTP	Defrost Temperature Sensor
WIT	Water Feed Temperature Sensor
CWT	Water Return Temperature Sensor

Preparations

Before starting up the system, check that the heating, hot water circuits are full and thoroughly vented. Check the pipe system for leakage.

Filling and venting the heating medium system

1. Check the heating medium system for leakage.
2. Connect the filling pump and return line on the heating system's service connections as shown in figure.
3. Close the valve between the service connections.
4. Open the valves on the service connections (AV1, AV2).
5. Pushing the white manual lever down to bottom (this has already been done when the machine leaves factory), then three way valve's water tank port is closed (the "B" port), room heat port is open (the "A" port).
6. Start the filling pump, and fill until there is fluid in the return pipe.
7. Open up Power ON from control panel to start machine, then heat medium water pump is running, the valve will return to the up position when power is restored.
8. Firmly pushing the white manual lever down to midway and in. In this position both the 'A' and 'B' ports are open.
9. The filling pump and the heating medium pump are now operational. The fluid should circulate via the container with tap water until it emerges from the return hose without being mixed with air.
10. Stop machine, heat medium water pump stop running. Depressing the white manual lever lightly and then pulling the lever out, pushing the white manual lever down to bottom position, and then "A" port open, "B" port is closed.
11. Stop the filling pump and clean the particle filter.
12. Start the filling pump, open the valve between the service connections.
13. Close the valve on the service connection's return line. Now pressurise the system (to max 3 bar) with the filling pump.
14. Close the valve (AV2) on the service connection.
15. Stop the filling pump.
16. Select the auto operating mode using the operating mode button.



AVT Draining
SÄV Safety valve
CW Cold water

SF Particle filter
HW Hot water

Inspection

Adjust heat medium pump

Check the flow temperature and the return temperature on the control panel. The difference between these two temperatures, with floating condensing, should be 5 — 10 °C when the house is being heated without additional heat. Adjust the flow with the knob on the heating medium pump (16). A high difference could depend on a low heat medium flow. A low difference indicates a high heat medium flow.

The pump is adjustable to adjust heat medium flow.



Readjusting, heat medium side

Air is initially released from the hot water and venting may be necessary. If bubbling sounds can be heard from the heat pump, the entire system requires further venting. When the system has stabilised (correct pressure and all the air removed) the heating controls can be set at the required values.

Emptying the water heater

The siphon principle is used to empty the water heater. This can be done either via the drain valve on the incoming cold water pipe or by inserting a hose into the cold water connection.

NOTE!

The compressor must not be forced to start with periods shorter than 1 start per 15 minutes.

General information

Menu Navigation

The right-hand button on the control panel is used to open the desired menu. The left-hand button is used to return to the previous menu. The up and down buttons are used to navigate between the parameters of a menu. A cursor (arrow) on the left-hand side of the display indicates which menu can be opened. The up and down buttons are also used if you wish to increase or reduce a preset value.

Display of current operating mode

During normal operation, the following information will be displayed:

- Desired (preset) room temperature
- Whether there is a heating demand or not. If there is, there will also be symbols telling which heat source is working– heat pump or auxiliary heater or both (see "Symbols" on page 6).

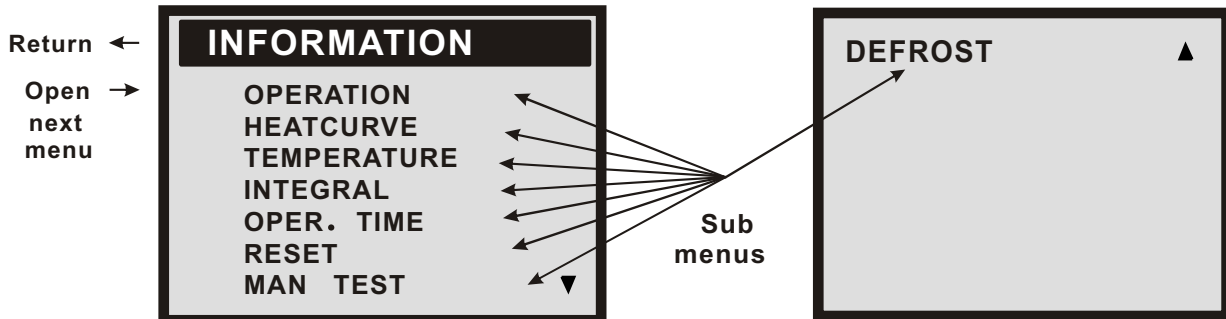


- Which operating mode has been selected In addition to this, the following messages may be displayed:
- POWER SUPPLY
The compressor in the heat pump is running in the wrong direction, which means that heat is produced by the auxiliary heater only (see "Alarm" on page 40).

Menus

Main Menu INFORMATION

To open the main menu INFORMATION, press the right- or left-hand button once.

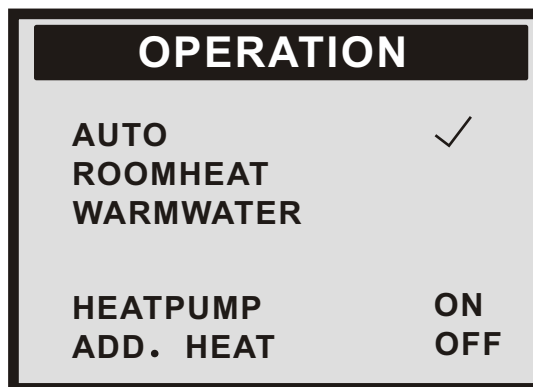


To select the desired sub-menu use the up or down button.

Open the menu by pressing the right-hand button once.

To return to the main menu, press the left-hand button once.

Sub-Menu OPERATION



This menu is used for the selection of operating mode. The control system allows for five different operating modes:

- **OPERATION HEAT PUMP ON**
Heat pump (compressor) operation is allowed by the control system.
- **OPERATION HEAT PUMP OFF**
Heat pump (compressor) operation is not allowed by the control system.
- **OPERATION ADD.HEAT ON/OFF**
The auxiliary heater will/will not be allowed to operate. This operating mode is normally used when a new installation is being put into service, before the Brine system is ready for use.
- **OPERATION AUTO**
Heat pump and auxiliary heater are regulated automatically by the control system. The text "OPERATION AUTO" will be displayed on the control panel.
- **OPERATION ROOMHEAT**
The heat pump will be distributed to the heating system only; The heat pump will not produce warm water. The text "OPERATION WARMWATER" will be displayed on the control panel.
- **OPERATION WARMWATER**
The heat pump will only produce warm water; no heat will be distributed to the heating system. The text "OPERATION WARMWATER" will be displayed on the control panel.

Menus

- OPERATION OFF

Heat pump is turned off. The following text is displayed on the control panel: "OPERATION OFF"

If the heat pump will be put in OPERATION OFF mode during winter, please remember to let out all the water the heating system to avoid any damage caused by freezing.

If you wish to change operating mode:

- Open the main menu INFORMATION by pressing the right-hand button once.
You will find the sub-menu named OPERATION.
- Open the OPERATION menu by pressing the right-hand button once.
- Select the desired mode by pressing either the "up" or "down" button.
- Return to the main menu by pressing the "up" button until to the top, and press left-hand button twice.

Sub-Menu HEAT CURVE

This menu is used for making adjustments that affect the room temperature. For more information, please refer to "Adjustments to be made regularly" on page 30.

HEATCURVE	
CURVE	40 °C
MIN	22 °C
MAX	70 °C
CURVE 5	0 °C
CURVE 0	0 °C
CURVE -5	0 °C
HEAT STOP	17 °C

Table 1: Menu- HEAT CURVE

Menu Text	Description	Adjustable by:
CURVE	The value entered shows the temperature of the water to be distributed to the radiators (supply line temperature) when the outside air temperature is 0°C.	User (see "Adjustment of CURVE value" on p. 31)
MIN	Adjustment of value for lowest supply line temperature allowed.	User (see "Adjustment of MIN and MAX values" on p. 35)
MAX	Adjustment of value for highest supply line temperature allowed.	User (see "Adjustment of MIN and MAX values" on p. 35)
CURVE 5	Adjustment of room temperature when the outside air temperature is +5°C.	User (see "Adjustment of CURVE value" on p. 34)
CURVE 0	Adjustment of room temperature when the outside air temperature is 0°C.	User (see "Adjustment of CURVE value" on p. 34)
CURVE - 5	Adjustment of room temperature when the outside air temperature is -5°C.	User (see "Adjustment of CURVE value" on p. 34)
HEAT STOP	Production of radiator heat is stopped when outside air temperature is equal to or higher than the value for heat stop entered	User, if require

Menus

Sub-Menu TEMPERATURE

This menu shows the different temperatures of the heating system. All temperature changes registered over the last 60 minutes are stored in the control system and can be viewed in the shape of graphs.

TEMPERATURE	
OUT	-20 °C
ROOM	20 °C
FEED	41(70)°C
RETURN	38(60)°C
WARMWT	53(49)°C
PIPE	32 °C

Table 2: Menu TEMPERATURE

Menu Text	Description	Adjustable by:
OUT	Outside air temperature	-----
ROOM	Desired (setpoint) room temperature	User (see "Adjustment of ROOM value" on page 33).
FEED	Actual (measured) supply line temperature of heating system; in brackets the setpoint (desired) value.	User. (The temperature necessary to keep the desired room temperature is determined by the control system).
RETURN	Measured return line temperature of heating system; in brackets the maximum return temperature allowed.	Installation contractor. To be adapted to each individual unit
WARMWT	Measured warm water temperature; in brackets the starting temperature for warm water production.	adjustable.
PIPE	Measured outdoor unit copper pipe temperature (Defrost temperature)	Not adjustable.

Sub-Menu INTEGRAL

INTEGRAL		00
OFF		00
CMP. A	-60	(00)
ADD1	-500	(-60)
ADD2	-550	(-500)
ADD3	-600	(-550)

Menus

Menu Text	Description	Adjustable by:
OFF	When the value (testing) reaches the value setting by user, the system will be closed.	USER
CMP.A	When the value (testing) reaches the value setting by user, the compressor will be start-up.And the value(testing) under the value(setting),the compressor will be closed.	USER
ADD1	When the value (testing) reaches the value setting by user, the ADD1 will be start-up.And the value(testing) under the value(setting),the ADD1 will be closed.	USER
ADD2	When the value (testing) reaches the value setting by user, the ADD2 will be start-up.And the value(testing) under the value(setting),the ADD2 will be closed.	USER
ADD3	When the value (testing) reaches the value setting by user, the ADD3 will be start-up.And the value(testing) under the value(setting),the ADD3 will be closed.	USER

Degree Minute 's(DM) instruction

Degree Minute = The corresponding value of temperature difference between the actual water supply and the desired water supply X time (through **integral** to change; every minute for a cumulative)

Temperature difference between the actual water supply and the desired water supply (°C)	The corresponding value
-31 ~ -40	-40
-21 ~ -30	-30
-11 ~ -20	-20
-1 ~ -10	-10
1 ~ 10	10
11 ~ 20	20
21 ~ 30	30
31 ~ 40	40

For example:

(Under desired temperature)

Actual water supply temperature decrease 1°C (under desired temperature) in 1 minutes,

Degree Minute=-10 X 1= -10;

Actual water supply temperature continue decrease 2°C(under desired temperature) in another 1 minutes,

Degree Minute=-10 X 1 + (-10) = -20;

Actual water supply temperature continue decrease 3°C(under desired temperature) in another 1 minutes,

Degree Minute=-10 X 1 + (-20) = -30;

Actual water supply temperature continue decrease 4°C(under desired temperature) in another 1 minutes,

Degree Minute=-10 X 1 + (-30) = -40;

.....

Degree Minute 's(DM) instruction

Before the Degree Minute reach - 60 (adjustable) ,the compressor is off, but when the Degree Minute reach - 60 (adjustable) ,the compressor automatic start,and the flow teperature will begin increase.

(Higher than desired temperature) when the actual water supply temperature reach / higher than the desired temperature, the DM will be changed.

For example : the DM was cumulated to -160 in this time.

1 minutes later when the actual water supply temperature higher than desired temperature for 1°C.

$10 \times 1 = 10$,Degree Minute= -150;

Another 1 minutes later when the actual water supply temperature higher than desired temperature for 2°C. $10 \times 1 = 10$,Degree Minute=-140;

Another 1 minutes later when the actual water supply temperature higher than desired temperature for 3°C. $10 \times 1 = 10$,Degree Minute=-130;

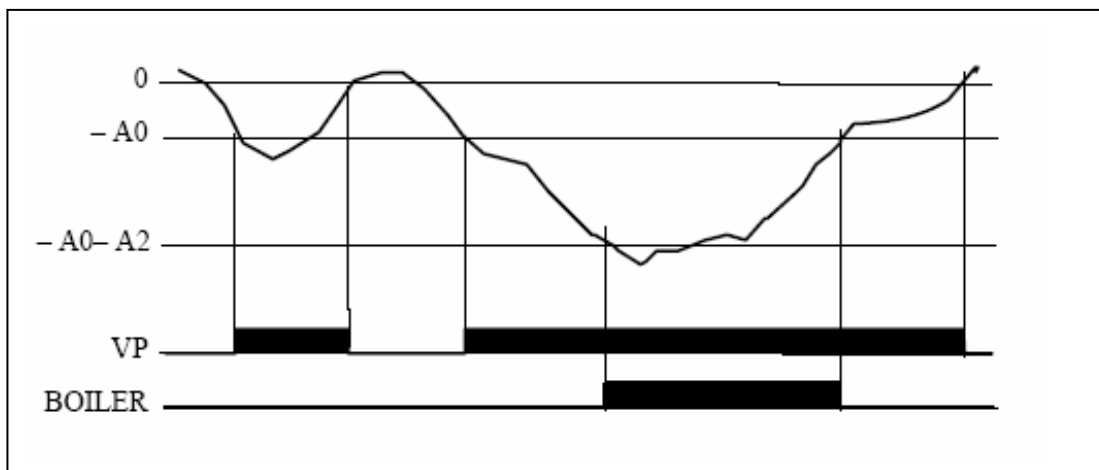
Another 1 minutes later when the actual water supply temperature higher than desired temperature for 4°C. $10 \times 1 = 10$,Degree Minute=-120;

.....

Compressor off when Degree Minute reach 0 (adjustable) .

The relationship between compressor and DM

The relationship between compressor (on and off) and DM,the relationship between heater(on and off) and DM.



The above diagram describe the relationship between compressor (on and off) and Degree Minute, the relationship between heater(on and off) and Degree Minute.

Compressor 's Degree Minute are :-60 (on) and 0(off), $A_0 = -60$ (on)

Heater 1's Degree Minute are : '-500'(on) and '-60'(off), $A_0 + A_2 = -60 - 440 = -500$ (on)

Heater 2's Degree Minute are : '-500'(on) and '-500'(off)

Heater 3's Degree Minute are : '-600'(on) and '-550'(off)

When ambient temperature more than 6°C,heater can not automatic start

When flow temperature less than 15°C, heater can start at once,and the sequence of three heaters' start will extremely follow own Degree Minute.

Menus

Sub-Menu OPERATING TIME

OPERATION TIME		
HEATPUMP	2	H
ADD1	1	H
ADD2	0	H
ADD3	0	H
WARMWT	0	H

Table 3: Menu OPERATING TIME

Menu Text	Description	Adjustable
HEATPUMP	Total operating hours of heat pump since installation. Operating time will not be reset to zero.	USER
ADD 1	Total operating hours of auxiliary heater (3kW) since installation. Operating time will not be reset to zero.	USER
ADD 2	Total operating hours of auxiliary heater (6kW) since installation. Operating time will not be reset to zero.	USER
ADD 3	Total operating hours of auxiliary heater (9kW) since installation. Operating time will not be reset to zero.	USER
WARMWT	Total operating hours of water heater since installation. Operating time will not be reset to zero.	USER

Sub-Menu RESET

Reset to factory setting value.

Sub-Menu MAN TEST

MAN TEST	
ADD1	OFF
ADD2	OFF
ADD3	OFF
HEAT PUMP	OFF
3 WAY	OFF
4 WAY	OFF
WARM PUMP	OFF

How to enter the Sub-Menu MAN TEST:

You need to choose the MAN TEST"on the main menu (INFORMATION)

And press the right button for 3 second .

The Sub-Menu MAN TEST contains ADD1 / ADD2 / ADD3 / HEAT PUMP / 3 WAY

4 WAY / WARM PUMP ; You can choose ON / OFF to control the each part for testing.

Menus

Sub-Menu DEFROST

How to enter the Sub-Menu DEFROST:

You need to choose the DEFROST"on the main menu (INFORMATION)

Press the right button.Then "DEFROST"menu can be seen. You can choose "Intell Defrost"or "Manual Defrost"

INTELL.DEF: Auto defrost mode;defrost time and defrost interval will be set by system automatically.

MANUAL DEF: Manual defrost mode; defrost time and defrost interval can be set by yourself.

DEF TIME: The range of the setting defrost time: (2 ~20 min). Default value: 15 min.

INTERVAL: The range of the setting defrost interval: (25 ~70 min). Default value: 40 min.

START TEMP: The range of the start temperature of defrost: (0 ~-15 °C). Default value: -9 °C.

SINCE TIME: Show the last value of the defrost time. Not adjustable.

BETW TIME: Show the last value of the defrost interval. Not adjustable.

DEFROST	
INTELL. DEF	
MANUAL DEF	✓
DEF TIME	15 M
INTERVAL	40 M
START TEMP	-9 °C
SINCE TIME	0 M
BETW TIME	0 M

Adjustments to be made regularly

Most settings will be made by the installation contractor in connection with installation. Adjustments to be made regularly by the user are the following:

- Selection of operating mode
- Adjustment of desired room temperature by changing the ROOM value.
- Adjustment of heat curve
- Adjustment of maximum and minimum values for supply line temperature

Adjustment of the value for HEAT STOP is possible. (Please refer to "Adjustment of HEAT STOP value" on p. 35).

Heat Generation-General

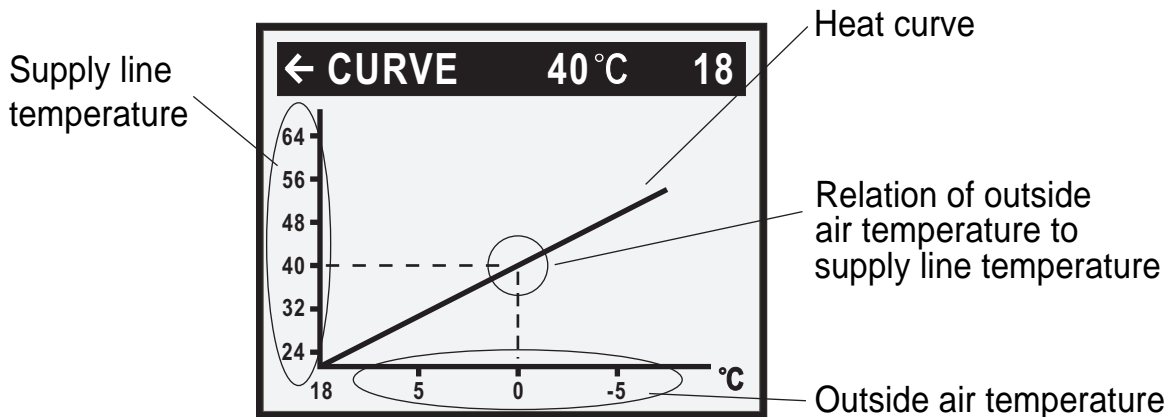
The indoor temperature should be adjusted by changing the heat curve of the installation. The control computer determines the correct temperature of the water to be distributed to the heating system based on the heat curve.

The heat curve will be adjusted in connection with installation. It must be adapted later on, however, to obtain a pleasant indoor temperature under any weather condition. A correct heat curve reduces maintenance and saves energy.

The heat curve determines the supply line temperature depending on the outside air temperature. The lower the outside air temperature, the higher the supply line temperature. In other words, the temperature of the water fed to the radiators will increase exponentially as the outside air temperature falls.

If you select CURVE in the sub-menu named HEAT CURVE, a diagram will be displayed. It represents the relation of outside air temperature to supply line temperature. This relation is referred to as heat curve.

Adjustments to be made regularly



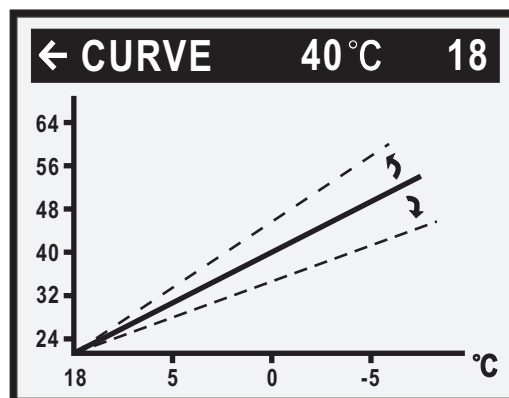
Adjustment of the CURVE value

The heat curve will be adjusted by the CURVE value. This value indicates the supply line temperature to the radiators at 0°C outside temperature. At outside air temperatures lower than 0°C, the water sent to the radiators will be warmer than 40°C.

At outside temperatures higher than 0°C, the water will be colder than 40°C. When you increase the CURVE value, the heat curve will become steeper and when you reduce it, it will become flatter.

This is the most energy and cost efficient way to set the indoor temperature and should therefore be used for long term temperature settings. If you wish to make a temporary change of temperature, you can simply change the ROOM value (see "Adjustment of the ROOM value" on page 33).

Factory setting of CURVE value is 40°C, at an outside air temperature of 0°C. The value is adjustable between 22°C and 56°C



If you wish to change the CURVE value:

- 1 Open the main menu INFORMATION by pressing the right- or the left-hand button once.
You will find the cursor at the sub-menu named OPERATION
- 2 Press the "down" button to move the cursor to the sub-menu called HEAT CURVE.
- 3 Press the right-hand button once to open the menu. You will find the cursor at the parameter CURVE
- 4 Open the selected parameter by pressing the right-hand button once.
- 5 Increase or reduce the preset value using the "up" or "down" button. You will see from the diagram how the gradient of CURVE changes.

Press the left-hand button three times to return to the main menu.

Adjustments to be made regularly

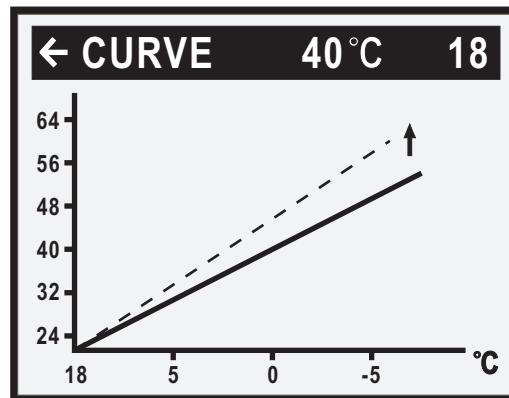
When enter 'Room heat' mode, user could control compressor and electrical heater through regulate heat curve or DM (degree minute).

under a certain ambient temperature ,the time start of compressor is determined by degree minute(DM). Now we are giving two situations to explain.

1. 'start quickly' is determined by FEED(heat curve)

Suppose now the actual supply water's temperature is 25°C; regulate the heat curve to let the setting of water temperature to be a higher value such as 55°C, that is FEED25(55). At that time, DM (degree minute) decrease -30 per minute, when the DM reach -60, compressor will start right away.

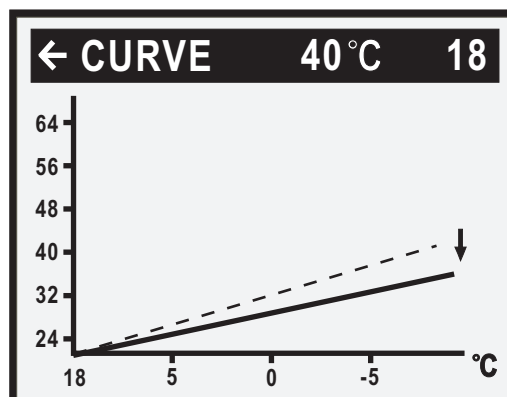
(**Notice:**if the water temperature setting is lower than actual temperature of water supply, DM would turn to positive number, and then compressor does not start. Of course, you also can regulate the DM to be near the value for compressor start, such as -20.



turn it up

2. 'start slowly' is determined by FEED(heat curve)

Suppose now the actual supply water temperature is 25°C, if regulate the heat curve to let the setting of water temperature to be a lower value such as 30°C, that is FEED25(30); at that time, the DM would decrease -10 per minute, the time to reach -60 is becoming longer, only after some time, then compressor can start. You also can regulate the DM to be more far away from the value for compressor start, such as (-100)



curve is a little flat

When enter room heat mode, it needs customer to regulate the heat curve or DM (degree minute) according to own request. Please notice that room heat mode's precondition is that ambient temperature more than HEAT STOP's setting temperature (factory setting is 17°C, adjustable from 0 to 24°C); when supply water temperature is lower than minimum temperature setting of supply water, compressor start forcedly; when supply water temperature reaches minimum temperature setting of supply water, compressor shut forcedly

Adjustments to be made regularly

Adjustment of ROOM value

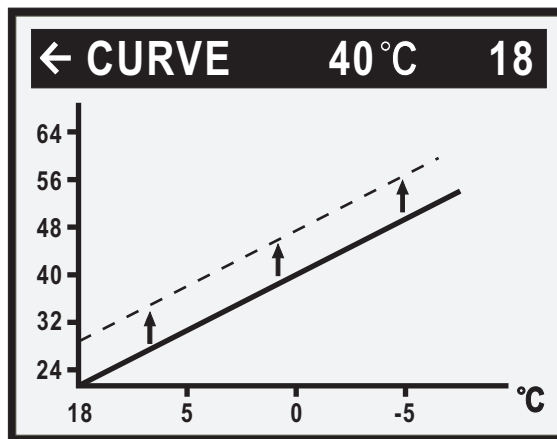
As mentioned above, you can also adjust heat curve and indoor temperature by changing the ROOM value. If you use ROOM value to adjust the heat curve, the gradient does not change, i.e. it doesn't become steeper or flatter. Instead, the whole curve is moved by 3°C for every degree by which the ROOM value is changed.

The relation supply line temperature to outside air temperature will not be affected. The supply line temperature will be increased or reduced by the same number of degrees all along the heat curve. See the following diagram.

Adjustment of the ROOM value should only be used for temporary changes of the indoor temperature. For long term settings, the CURVE value should be adjusted as this is the most energy and cost efficient way to set the indoor temperature.

For adjusting the heat curve, please refer to the chapter "Adjustment of the CURVE value" on page 27.

Factory setting of ROOM value is 20°C.



Changing the ROOM value

If you wish to change the ROOM value:

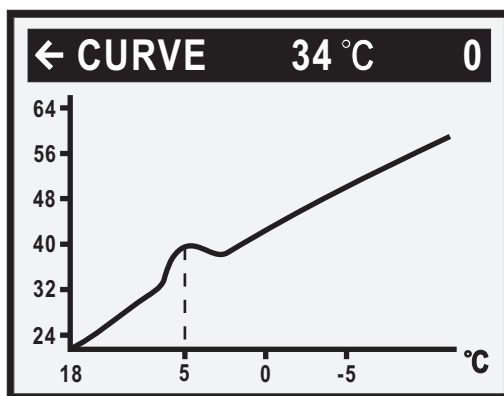
- 1 Press the "up" or "down" button once to open the ROOM value for adjustment.
- 2 Increase or reduce the preset value using the "up" or "down" button so that the desired room temperature is reached. Wait for 10 seconds or press the left-hand button once to return to the main menu.

Adjustments to be made regularly

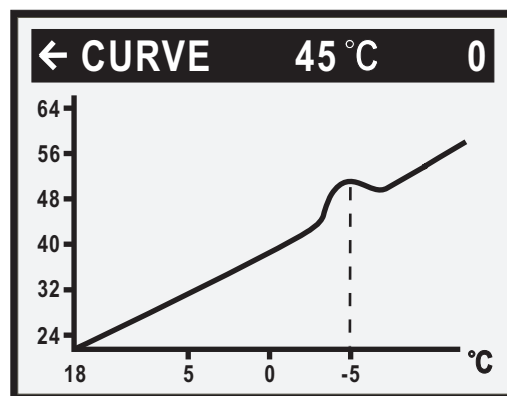
Adjustment of Part of the Heat Curve

At outdoor temperatures between -5°C and $+5^{\circ}\text{C}$ part of the heat curve may need adjusting if the indoor temperature does not stay at the preset ROOM value. For this reason, the control system includes a function adjusting the curve at three outside temperatures: -5°C , 0°C , $+5^{\circ}\text{C}$. This function will allow you to increase or reduce the supply line temperature, without affecting the heat curve, at three specific outdoor temperatures. If, for example, the outside temperature is -5°C , the supply line temperature will change gradually in the outdoor temperature range of 0°C to -10°C , maximum adjustment being reached at -5°C . The diagram below shows an adjusted CURVE -5. The point of maximum adjustment is clearly visible.

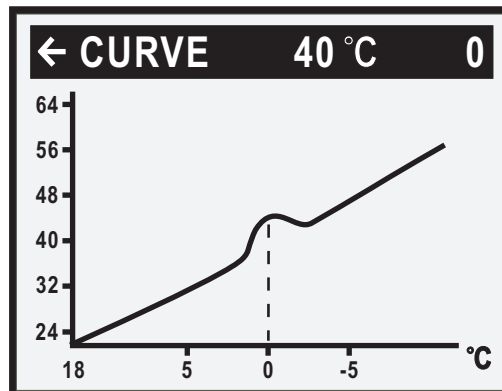
As we have seen, you can choose to adjust the heat curve at three specified outside air temperatures: -5°C , 0°C and $+5^{\circ}\text{C}$. The supply line temperature can be changed by plus/minus 5 degrees.



Change of the value for CURVE 5



Change of the value for CURVE -5



Change of the value for CURVE 0

If you wish to change a specific part of the heat curve:

- 1 Open the main menu INFORMATION by pressing the right- or left-hand button once. You will find the cursor at the sub-menu OPERATION.
- 2 Press the "down" button to move the cursor to the sub-menu HEAT CURVE.
- 3 Open the selected menu by pressing the right-hand button once. You will find the cursor at the parameter CURVE.
- 4 Using the "up" or "down" button, select either CURVE 5, CURVE 0 or CURVE -5.
- 5 Open the selected curve by pressing the right-hand button once.
- 6 Raise or lower the value, using respectively the "up" or "down" button. To return to the main menu, press the left-hand button three times.

Adjustments to be made regularly

Adjustment of the MIN and MAX value

The MIN and MAX value is the lowest respectively highest value that is allowed for the supply line temperature. Adjusting the minimum and maximum supply line temperature is particularly important if your home has floor heating. If your house has floor heating and parquet floor, the supply line temperature should not be higher than 45°C. Else the floor might get damaged. If you have floor coils and stone tiles, the MIN value should be 22-25°C in summer when no heating is required – to obtain a comfortable floor temperature.

If there is a basement to your house, the MIN value should be adjusted to a suitable temperature in summer too, to avoid a humid and chilly basement. In such cases, the value for HEAT STOP needs being adjusted upwards.

If you wish to change the MIN or MAX value:

- 1 Open the main menu INFORMATION by pressing the right- or left-hand button once.
You will find the cursor at the sub-menu OPERATION
- 2 Press the "down" button to move the cursor to the sub-menu HEAT CURVE
- 3 Open the selected menu by pressing the right-hand button once. You will find the cursor at the parameter CURVE.
- 4 Press the "down" button to move the cursor to MIN.
- 5 Open the selected parameter by pressing the right-hand button once. The cursor is at MIN
- 6 Raise or lower the value, using the "up" and "down" button respectively.
- 7 Press the left-hand button three times to return to the main menu.

Repeat the procedure to change the MAX value, replacing MIN by MAX at step 4.

Adjustment of the HEAT STOP value

The HEAT STOP function stops all production of radiator heat when the outside air temperature is equal to or higher than the value entered for heat stop. When the heat stop function is activated, the circulation pump will be turned off except when warm water is being produced. Even if shut off, the pump will be "exercised" during 1 minute a day. Factory setting for heat stop is 17°C. (0-24°C adjustable)

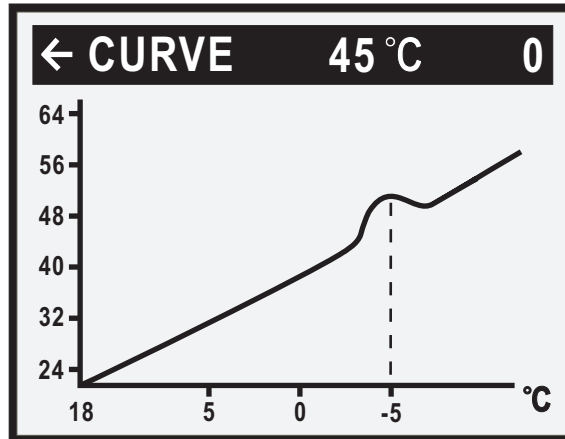
If you wish to change the HEAT STOP value:

- 1 Open the main menu INFORMATION by pressing the right- or left-hand button once.
You will find the cursor at the sub-menu OPERATION
- 2 Press the "down" button to move the cursor to the sub-menu HEAT CURVE
- 3 Open the selected menu by pressing the right-hand button once.
- 4 You will find the cursor at the parameter CURVE.
- 5 Press the "down" button to move the cursor to HEAT STOP
- 6 Open the selected parameter by pressing the right-hand button once. The cursor moves to HEAT STOP
- 7 Raise or lower the value, using respectively the "up" or "down" button.
- 8 Press the left-hand button three times to return to the main menu.

Adjustments to be made regularly

Graph of recent changes in TEMPERATURE

All temperatures registered during the last hour can be viewed in the sub-menu TEMPERATURE in the shape of a graph. This will enable you to monitor changes in the different system temperatures.



There is a graph available for all temperatures, except for the ROOM temperature, where you can only view the setpoint value. The integral value that is displayed represents the heating system's energy balance.

If you wish to check the TEMPERATURE graphs:

- 1 Open the main menu INFORMATION by pressing the right- or left-hand button once. You will find the cursor at the sub-menu OPERATION.
- 2 Press the "down" button to move the cursor to the sub-menu TEMPERATURE
- 3 Open the menu by pressing the right-hand button once.
- 4 You will find the cursor at the parameter OUT.
- 5 Press the "down" or "up" button to move the cursor to the desired temperature.
- 6 Open the selected value by pressing the right-hand button once. A graph will be shown in the display.
- 7 Move the cursor along the time axis using the "up" (plus) or the "down" (minus) button. The exact temperature at the selected point of time appears at the top of the display.
- 8 Press the left-hand button three times to return to the main menu.

Maximum Return Line Temperature

The maximum return line temperature, i.e. temperature of the water returning from the heating system, should be adapted to each individual installation. The correct temperature value for your system will be entered by your installation contractor in connection with installation and can be adjusted later.

Warm Water Production

The temperature of the water distributed to the water heater is controlled by the regulating pressure switch and cannot be adjusted.

Reading of warm water temperature.

To check the actual warm water temperature on the display:

- 1 Open the main menu INFORMATION by pressing the right- or left-hand button once. You will find the cursor at the sub-menu OPERATION.
- 2 Press the "down" button to move the cursor to the sub-menu called TEMPERATURE.
- 3 Open the menu by pressing the right-hand button once.
- 4 Press the "down" button to move the cursor to the parameter WARMWATER.
- 5 Open the selected parameter by pressing the right-hand button for 3 seconds.

A graph will be shown of last hour's warm water temperatures.

- 6 Press the left-hand button three times to return to the main menu.

The value displayed next to the parameter WARMWATER is the actual hot water temperature. The value in brackets is the temperature at which warm water production will start. When the actual temperature falls below that value, warm water production starts. The starting value is not adjustable.

Regular Checks

Check of Operating Mode

In the event of an alarm, The background light of LCD will flash and an alarm message will be displayed.



Check the alarm indicator regularly to make sure that the heat pump works properly. You would not always notice if there is something wrong, as the auxiliary heater would start automatically (provided, of course, operating mode AUTO was selected). For more information, please refer to the chapter ALARM MESSAGES on p. 40.

Checking the Water Level of the Heating System

The pressure of the heating system should be checked once monthly. The pressure, shown on the external pressure gauge, should be 1-1,5 bar. If the value is below 0.8 bar with cold water in the heating system, more water must be added (applies to a closed expansion vessel). To find out where the pressure gauge is located.

You can use ordinary tap water for filling the heating system. In some rare cases the water quality would be unsuitable for this purpose (corrosive or calcareous water). In case of doubt, we would recommend that you call your installation contractor.



Don't use any water treatment additives for the heating system!

Regular Checks

Checking the Safety Valves

Both safety valves of the heating system should be checked at least four times a year to prevent lime deposits to clog the mechanism. To find out where the safety valves are located.

The safety valve of the water heater protects the closed heater against positive pressure. It is fitted on the cold water inlet line, its outlet opening facing down-wards. If the safety valve is not checked regularly, the water heater might be damaged. It is quite normal that the safety valve lets out small amounts of water when the water heater is being charged, especially if a lot of warm water was used previously.

To check the safety valves, give the cap a quarter of a turn clockwise until the valve lets out some water through the overflow pipe.

If a safety valve does not work properly, it must be replaced. Check with your installation contractor.

The opening pressure of the safety valve is not adjustable.

In the Event of Leakage

In the event of leakage in the warm water lines between unit and water taps, the shut-off valve on the cold water inlet line should be closed immediately.

Call your installation contractor. In the event of leakage in the system circuit, turn off the heat pump and call your installation contractor immediately.

Alarm Messages

In the event of an alarm message, try to re-start the unit with the safety switch.

If this does not work, try to solve the problem with the help of the table below. Call your installation contractor if you need help.

Table : Alarm Messages

Message	Signification	Cause	Action
RETURN TEMP	Return line temperature sensor error; All operation stopped, except circulation pump of heating system.	Sensor disconnected; Sensor defective.	Check the connections,the wire, or change it .
FEED IN TEMP	Supply line temperature sensor error; All operation stopped, except circulation pump of heating system.	Sensor disconnected; Sensor defective.	Check the connections,the wire, or change it .
BRINE OUT TEMP	Brine out temperature sensor error / Defrost temperature sensor error (for air source heat pump) .	Sensor disconnected; Sensor defective.	Check the connections,the wire, or change it .
OUTDOOR TEMP	Outside air temperature sensor error;	Sensor disconnected; Sensor defective.	Check the connections,the wire, or change it .
ROOM TEMP	Room air temperature sensor error;	Sensor disconnected; Sensor defective.	Check the connections,the wire, or change it .
CMP TEMP	Compressor exhaust temperature sensor error;	Sensor disconnected; Sensor defective.	Check the connections,the wire, or change it .
WARM WATER TEMP	Water tank temperature sensor error;	Sensor disconnected; Sensor defective.	Check the connections,the wire, or change it .
HIGH PRESS	All operation stopped; High pressure switch cut out; compressor is stopped; No warm water is produced	The wire disconnected; Refrigerance leakage, lack of refrigerance; water flow stop in the room cycle.	Check the wire connection; Refrigerance recharge; Check the water cycled pump for the room heating system; Or call your installation contractor.
LOW PRESS	All operation stopped; Low pressure switch cut out; compressor is stopped; No warm water is produced	The wire disconnected; No refrigerance (leakage out); Pipe was plugged.	Check the wire connection; Refrigerance recharge; Check the pipe system; Or call your installation contractor.
CMP OVER	All operation stopped; Compressor overload protection	The actual current over the contactor 's allowed current.Compressor current too large;or the AC contactor current adjust too small.(6K,8K should be adjust to 11A; 10K,12K should be adjust to 14A; 16K,20K,25K,should be adjust to 16A)	Check the compressor; Adjust the AC contactor's current range; Or call your installation contractor.
ADD HEAT OVER	All operation stopped; Electrical heater overheat .	The temperature of electrical heater over the max allowed temperature. Water flow too low or stoped.	Check the water cycled pump for the room heating system; Or call your installation contractor.
WTPUMP OVER	All operation stopped; Water pump overheat .	The temperature of the water pump (room heating cycle) over the max allowed temperature.No water in the cycle system.	Check the water cycled pump for the room heating system; Or call your installation contractor.
CMP AIR OVER	All operation stopped; Compressor exhaust overheat .	Lack of refrigerance.	Refrigerance recharge; Or call your installation contractor.
POWER SUPPLY	Phase error;	For three-phase, the phase order reversed or wrongly connected. For single-phase, the " three-phase option port " in the circuit board is not connected or loose.	Check the connections,the wires. Or Call your installation contractor

Terminology and Abbreviations

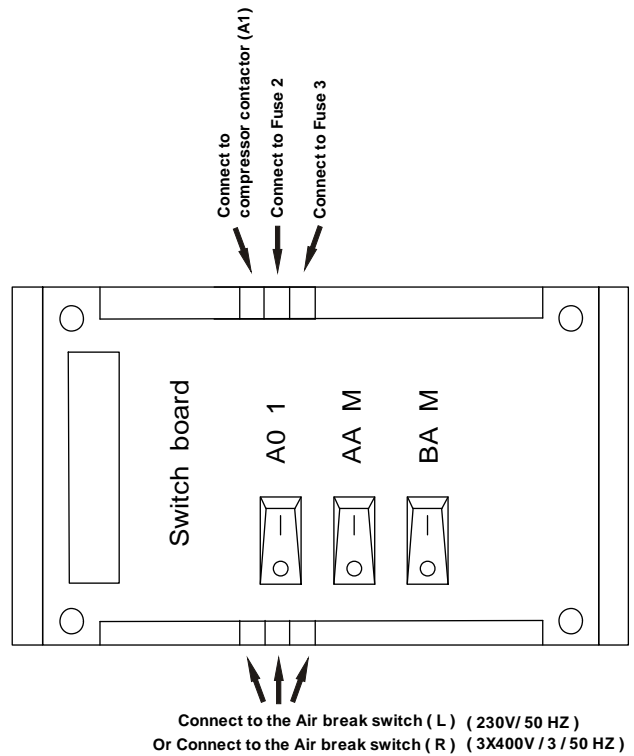
Evaporate	In the evaporator, energy from the heat source is absorbed by the refrigerant passing through the evaporator. The refrigerant turns into gas. (See "Heat Pump Principle" on p. 4).
INTEGRAL	INTEGRAL is the heat balance of the heating system. Production of heat is regulated acc. to a calculated heat demand value. This value is determined by comparing the actual supply line temperature with its calculated (setpoint) value. The difference between the two values is multiplied by the time during which the difference is active. The resulting value is referred to as the integral. The integral value is automatically established when heat is being produced. The value can be viewed in the sub-menu TEMPERATURE.
Compressor	The compressor raises temperature and pressure of the the refrigerant (See "Heat Pump Principle" on p.4).
Condenser	In the condenser ,the r efrigerantreleases its heat ener gyto the heatingcircuit. (See"Heat Pump Principle" on p.4)
CURVE	The CURVE value will be adjusted on the control panel. The value indicates the temperature of the water distributed to the radiators (supply line temperautre) at an outside air temperature of 0°C.
Refrigerant	Circuit in the heat pump filled with refrigerant that by evapo- ration, compression, and circuit condensation absorbs heat energy from the air sytem circuit and releases it to the Heating circuit.
Refrigerant	Liquid absorbing energy from the Brine sytem circuit and releasing it to the heating circuit. (See "Heat Pump Principle" on p. 4).
Radiator	Heating element
Control	The control computer regulates the whole installation. All system settings and computer temperature changes are stored and registered in the computer. Settings are adjusted via the graphic display on the control panel.
Heating circuit	The heating circuit receives heat energy from the refrigerant circuit and carries it to the water heater or radiator/ floor coil systems. (See further"Heat Pump Principle" on p.4).
Heat curve	The heat curve is the control computer's instrument for determining the required supply line temperature of the heating system. Indoor temperature will be adjusted by adjustment of the CURVE value

Function

Function of manual switch board:

When test or repair the machine, the compressor, water cycle pump and outdoor fan motor can be force manual startup.

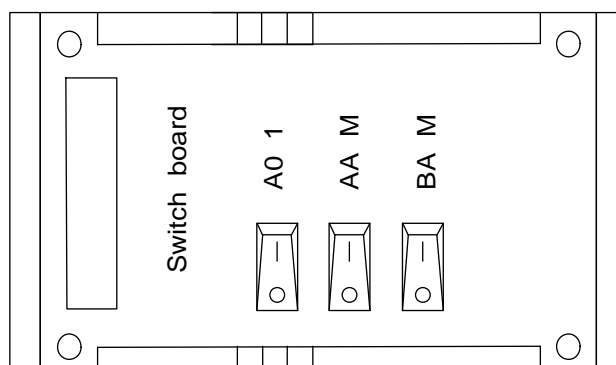
- A0 1 : Control the compressor;
- AA M : Control the water cycle pump;
- BA M : Control the fan motor of outdoor unit.



Initial state

The initial state of the manual switch board are such buttons (A0 , AA , BA), all of them are off.(see the picture).

When the machine is running normally,the switch board must be in initial state.



NOTE!

The manual switch board is use only if the necessary for test or repair. when the machine is running normally,the switch board must be in initial state.

Draining, heat medium side

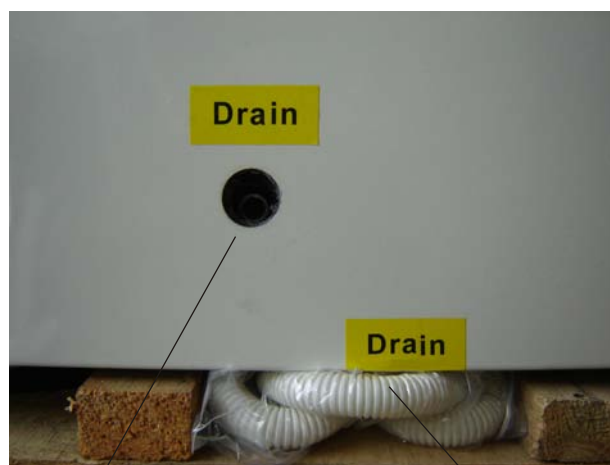
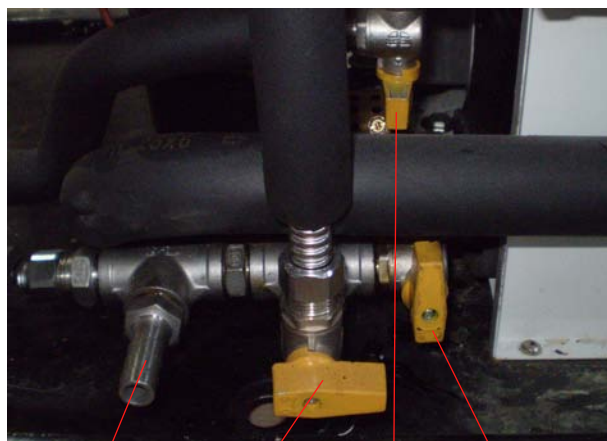
Close the shut-off valves in heating medium system. And then close the water tank drain valve (72) . and open the drain valve (73 , 74). A small amount of water runs out, however, to fully empty the heating medium side requires the connector that joins the heating medium side and the connection on the heat pump VB-flow to be loosened a little to allow air to enter so the remaining water can run out. When the heating medium is empty the requisite service can be carried out.

Draining, water tank

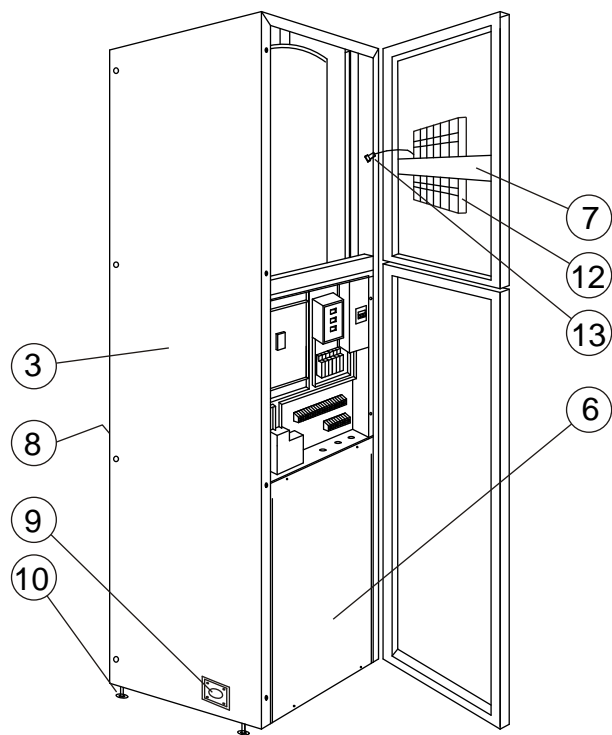
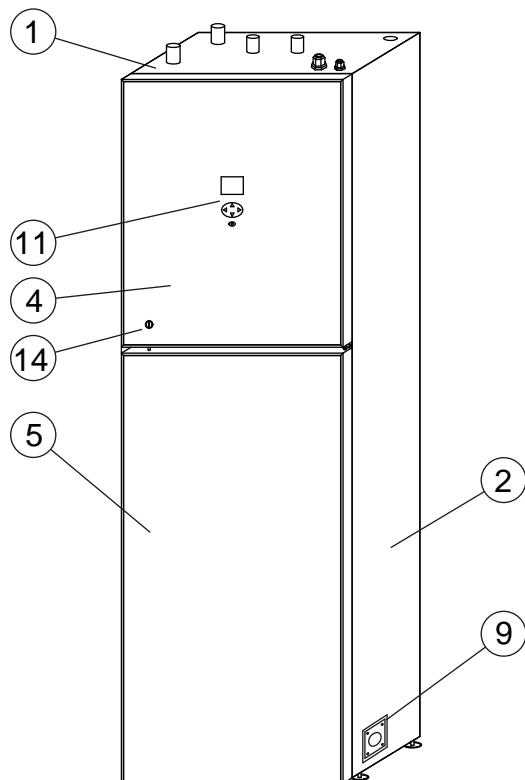
First,close the drain valve (73,74). And then open the drain valve (72). When the water tank is empty the requisite service can be carried out.

Draining, the chassis

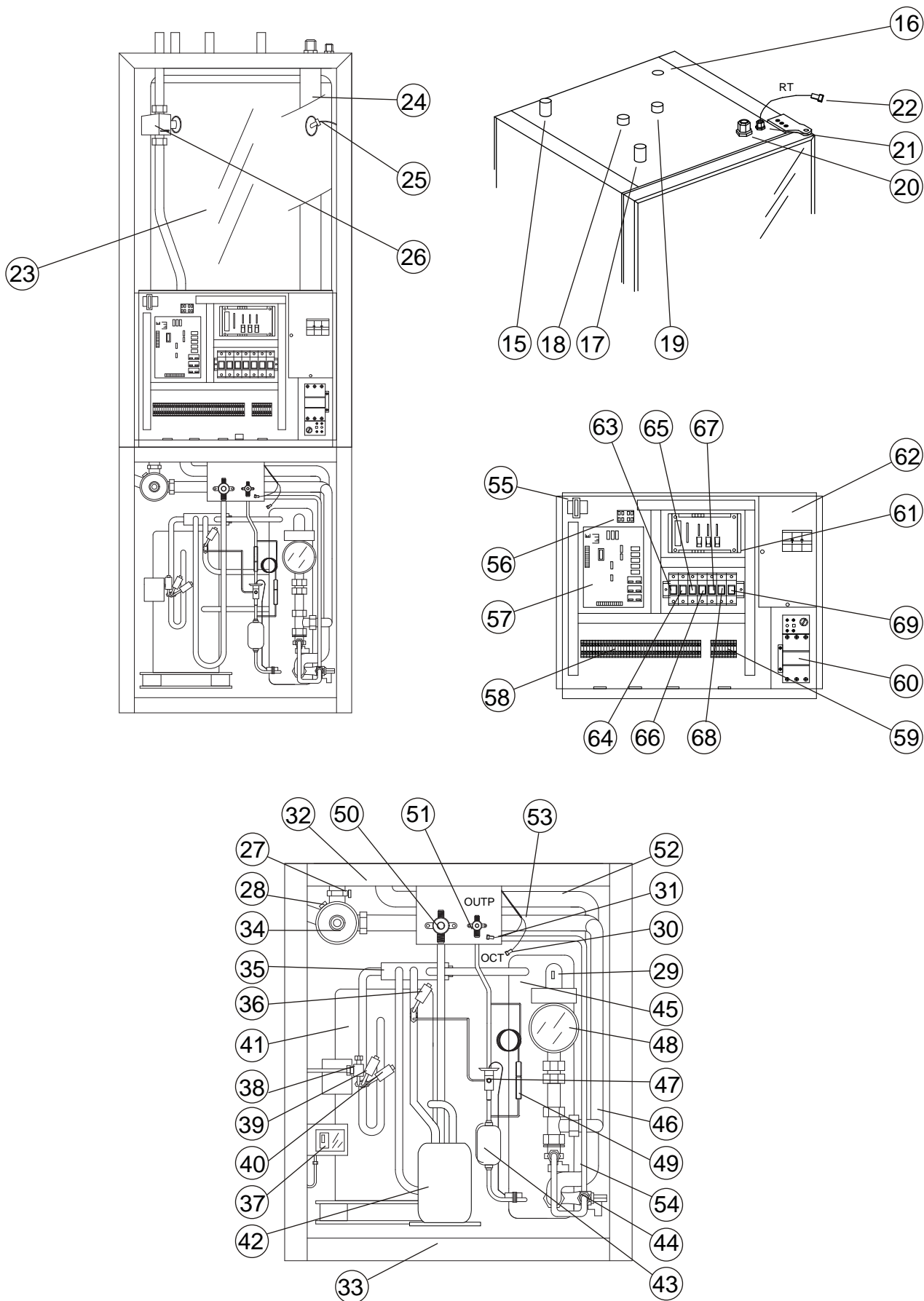
The drain-pipe for the chassis is already assembled in advance before leaving the factory. The consumer is required to place the hose at appropriate location.



If the operating disturbance cannot be rectified by means of the above, an installation engineer should be called.

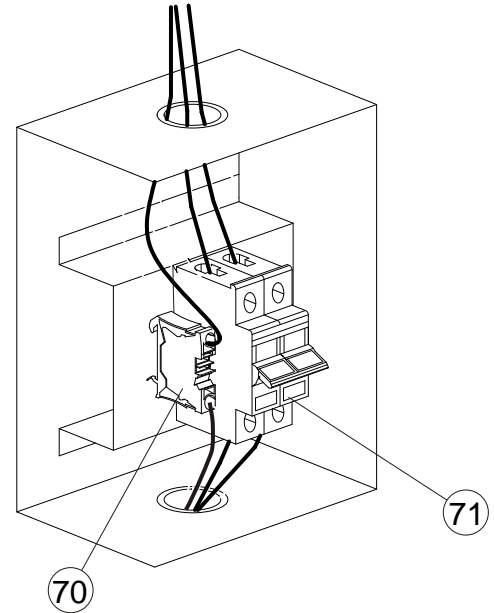
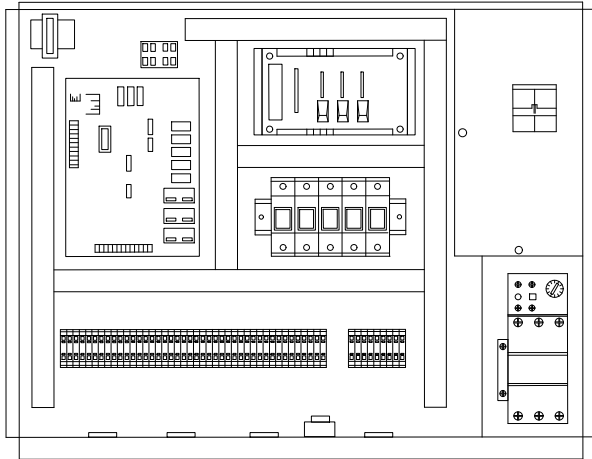


Please Note : The picture for reference only !

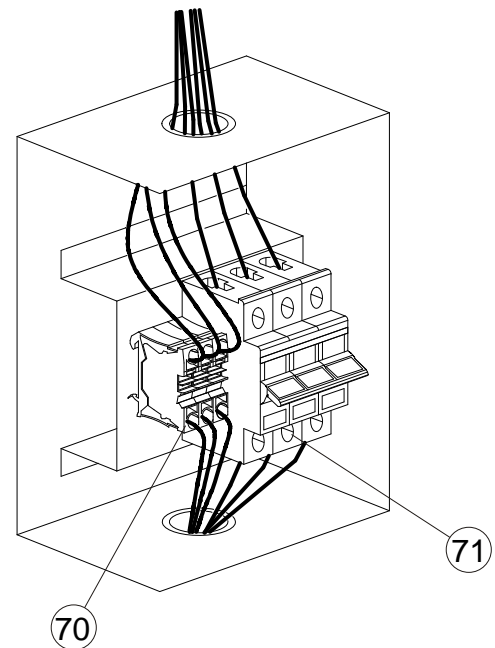
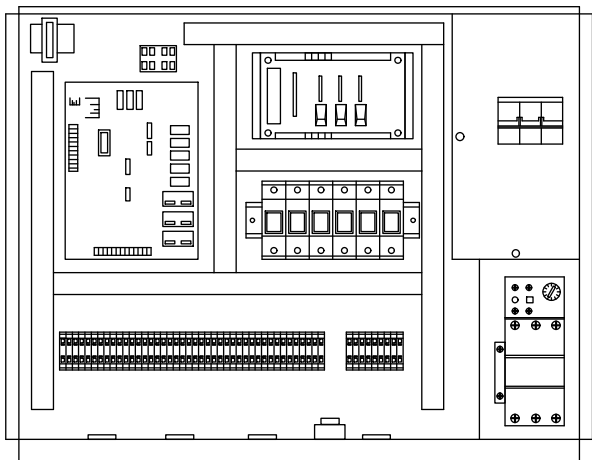


Please Note : The picture for reference only !

230 V / 50 HZ



3X400 V / 3 / 50 HZ

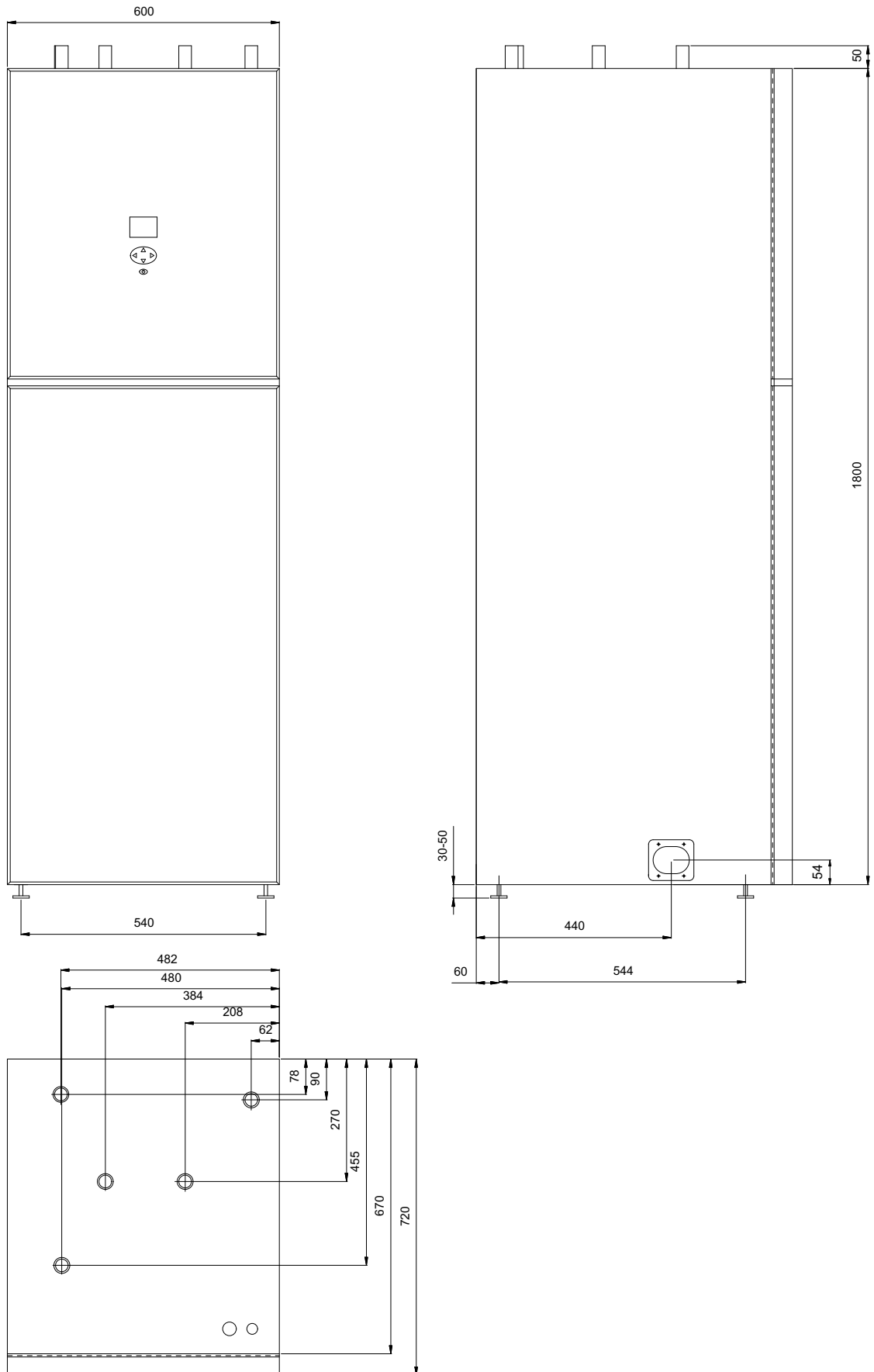


Please Note : The picture for reference only !

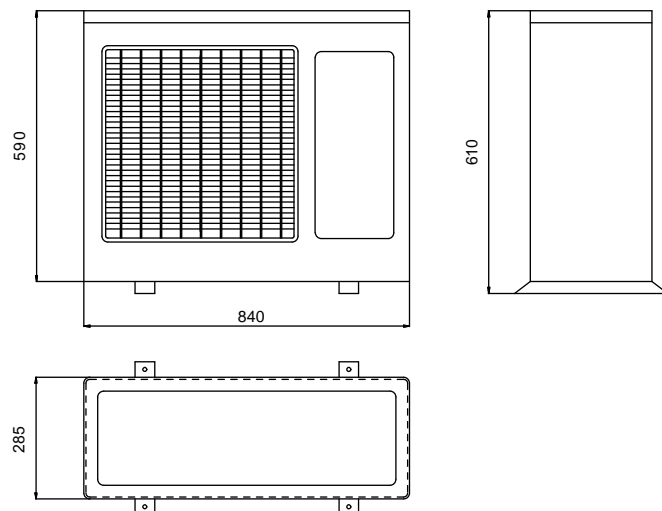
1	Top board	44	Waterspout
2	Right side board	45	Condenser
3	Left side board	46	Water flow switch
4	Glass upper door	47	Expansion valve
5	Glass lower door	48	Heating medium pump
6	Front board	49	Unilateral valve
7	Board for fixing control panel	50	Valve 1
8	The back board	51	Valve 2
9	Hole for copper pipe connection	52	Heating return pipe
10	Stainless steel adjustable feet	53	Heating flow pipe
11	Control panel	54	Drainpipe for Water tank
12	Control panel Box	55	Transformer
13	Connecting wire of control panel	56	Neutral line common terminal
14	Door lock	57	Circuit board
15	Connection,heating return Ø 28 mm	58	1.5mm ² terminal
16	Expansion vessel,connection /1 inch	59	2.5mm ² terminal
17	Connection,heating flow Ø 28 mm	60	AC contactor
18	Cold water inlet	61	Switch board
19	Hot water outlet	62	Air break switch cover
20	Power cord connection hole	63	Fuse 1 for 3 way valve
21	Temperature sensor connection hole	64	Fuse 2 for Water cycle pump
22	Room temperature Sensor connection	65	Fuse 3 for Outdoor Fan
23	Water tank	66	Fuse 4 for Electrical heater 3
24	Wire groove	67	Fuse 5 for Electrical heater 2
25	Temperature sensor (Water Tank)	68	Fuse 6 for Electrical heater 1
26	Three-way valve for waterflow	69	Fuse 7 for Electrical heater 4
27	Temperature sensor (heating flow)	70	6mm ² terminal
28	Temperature sensor (Electrical auxiliary heater)	71	Air break switch
29	Temperature sensor (Heating return)	72	Draining valve for water tank
30	Outside air temperature sensor connection	73	Draining valve for heating medium pump
31	Defrost temperature sensor connection	74	Draining valve for heating medium system
32	Sound insulation board	75	Draining pipe for the chassis
33	Chassis	76	Draining hole
34	Electrical Auxiliary heater	77	Room temperature sensor
35	Four-way valve	78	Outside air temperature sensor
36	Low pressure pressostat (OFF 0.05MPa/ON 0.15MPa)	79	Draining connector
37	Adjustable pressure switch	80	Conex connectors
38	Valve for adjustable pressure switch	81	Drainpipe
39	Compressor pressure pressostat 2 (OFF 4.0MPa/ON 3.3MPa)	82	Adjustable Three-way valve for water flow
40	High pressure pressostat (OFF 4.2MPa/ON 3.6MPa)		
41	Compressor		
42	Oil tank		
43	Drying filter		

Please Note : The List for reference only !

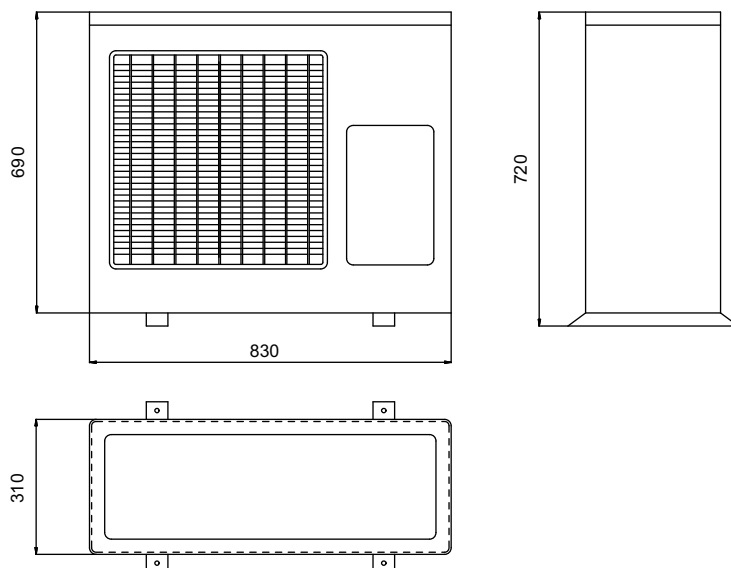
Dimensions and setting-out coordinates



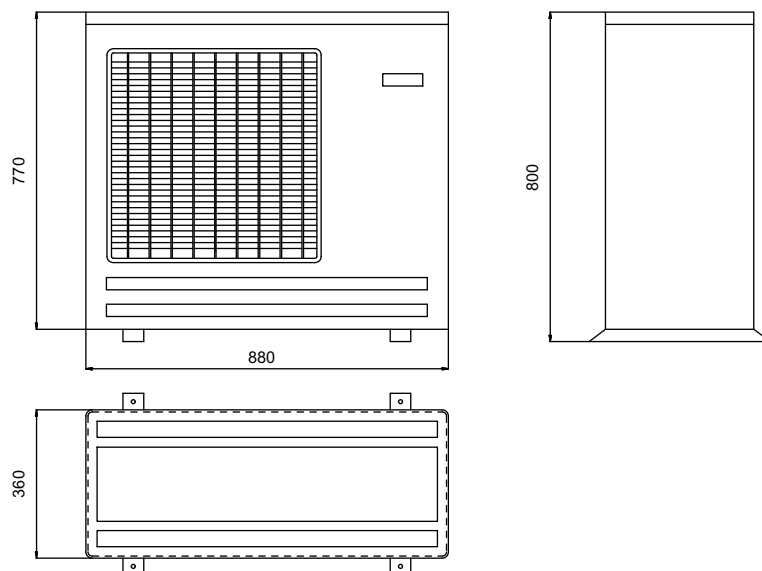
Dimensions of the AWA-SS-6 outdoor unit



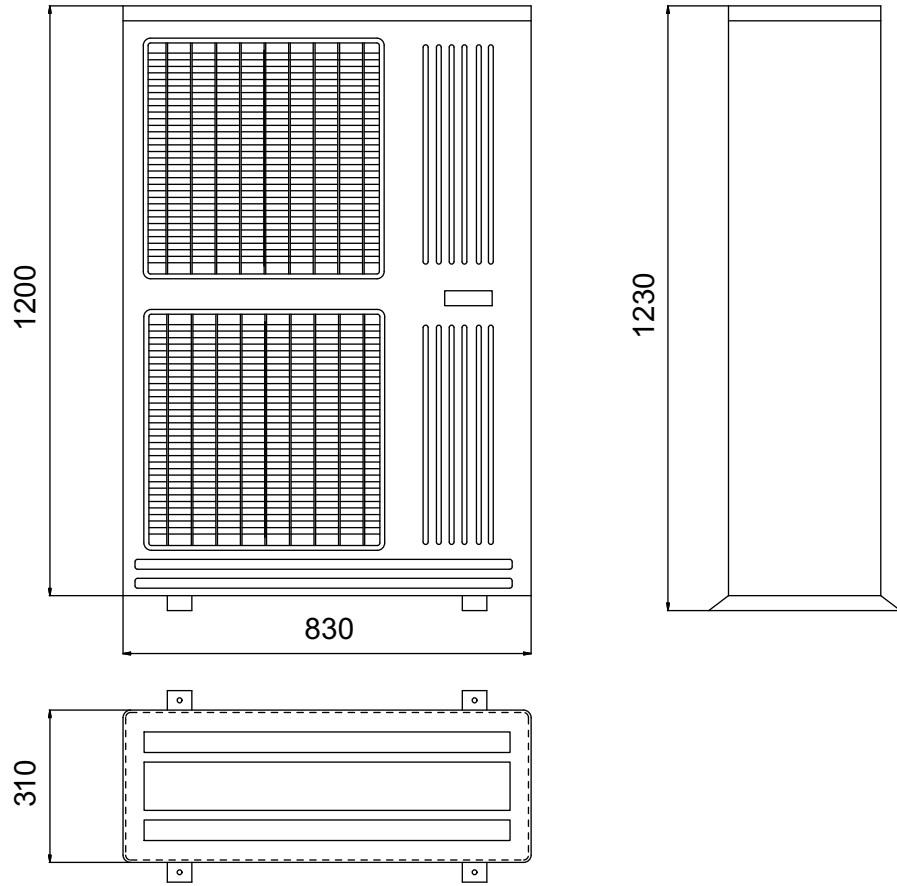
Dimensions of the AWA-SS-8 outdoor unit



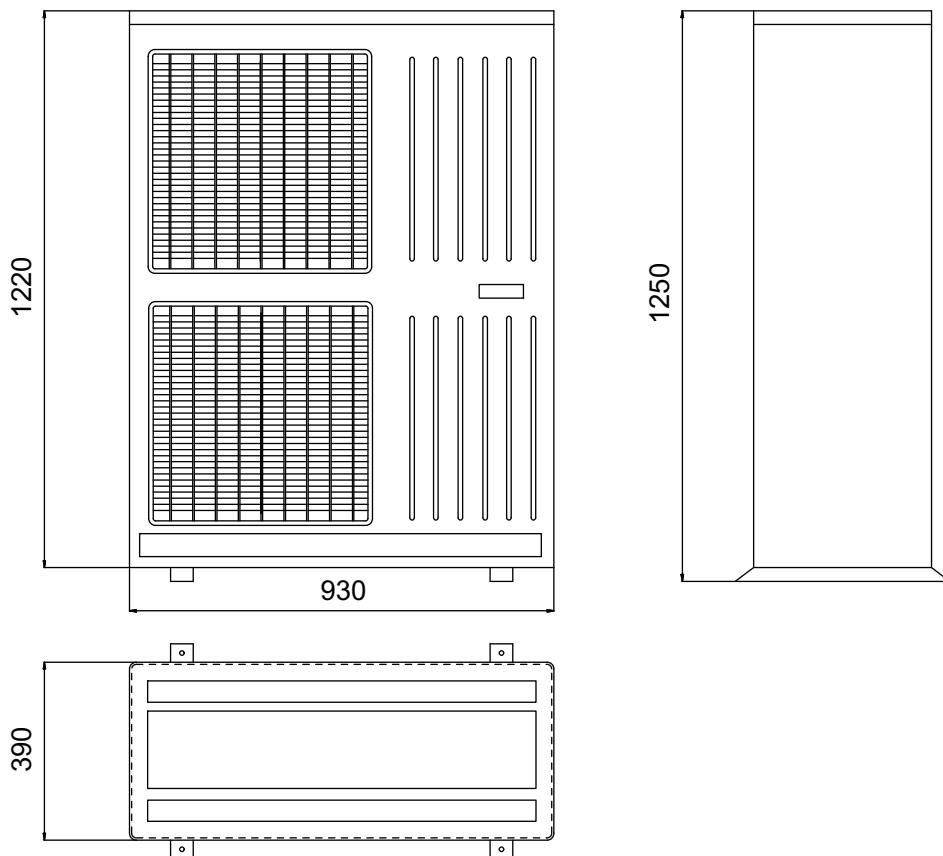
Dimensions of the AWA-SS-10 outdoor unit

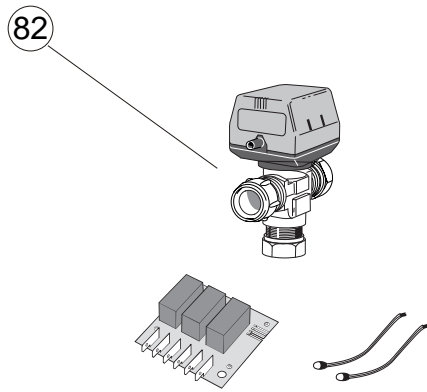


Dimensions of the AWA-SS-12 outdoor unit

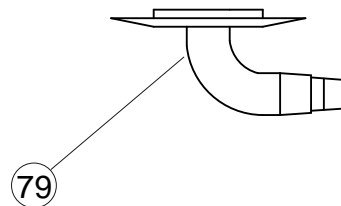
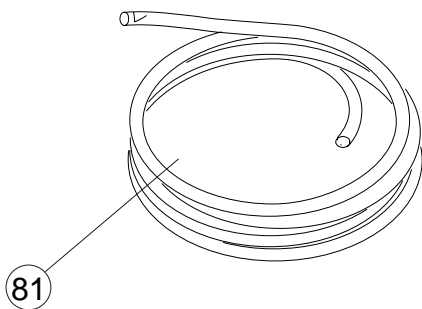
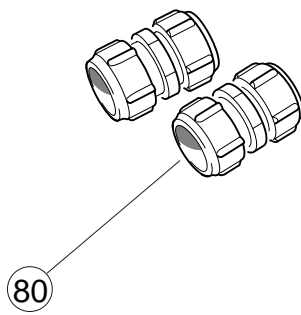
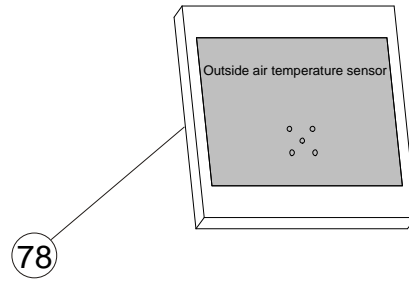
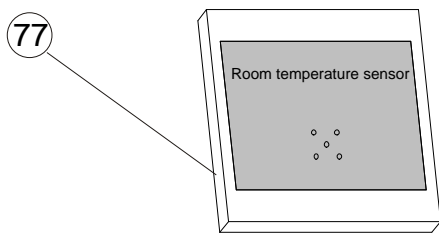


Dimensions of the AWA-SS-16 outdoor unit





Enclosed kit



Technical specifications 230V / 3 x 400 V

CE IP 21 Refrigerant : R410A

Type (AWA-SS SERIES)	6	8	10	12	16
Heating Capacity at 7/35 °C (KW)	5.95	8.10	10.4	12.5	16.1
Heating Power Input at 7/35 °C (KW)	1.475	1.975	2.48	3.06	3.98
Operational voltage (V)	230 V / 50 Hz		3 x 400 V / 3 / 50 Hz		
Starting current, compressor (A)	24	24	30	30	35
Heating current, compressor (A)	6.8	10.1	4.0	6.4	7.2
Operating curr. incl. immersion heater 6 / 9 kW (A)	14	14	14	14	14
Output, HC pump (W)	151	151	151	151	205
Connection heating return o.d. Ø (mm)	28				
Connection heating flow, o.d. ø (mm)	28				
Water tank inlet/outlet, o.d. ø (mm)	28				
Required ceiling height (mm)	1980				
Volume, water heater (litres)	150	150	150	150	200
Volume, spiral copper pipe (litres)	9.8	9.8	9.8	9.8	12.20
Max pressure in storage heater (MPa)	0.9 (9 bar)				
Max pressure in spiral copper pipe volume (MPa)	0.25 (2.5 bar)				
Refrigerant quantity (R410A) (kg)	1.45	1.55	1.60	2.10	2.50
Heating medium flow (l/s)	0.28	0.39	0.49	0.57	0.75
Max temp. (flow/return circuit) (°C)	68/55				
Cut-out value pressostat HP (bar)	40.0	40.0	40.0	40.0	40.0
Difference pressostat HP (bar)	-7				
Cut-out value pressostat LP (bar)	0.5				
Difference pressostat LP (bar)	+1				
Enclosure class	IP 21				